

REV	DESCRIPTION	DATE	BY
-	-	-	-

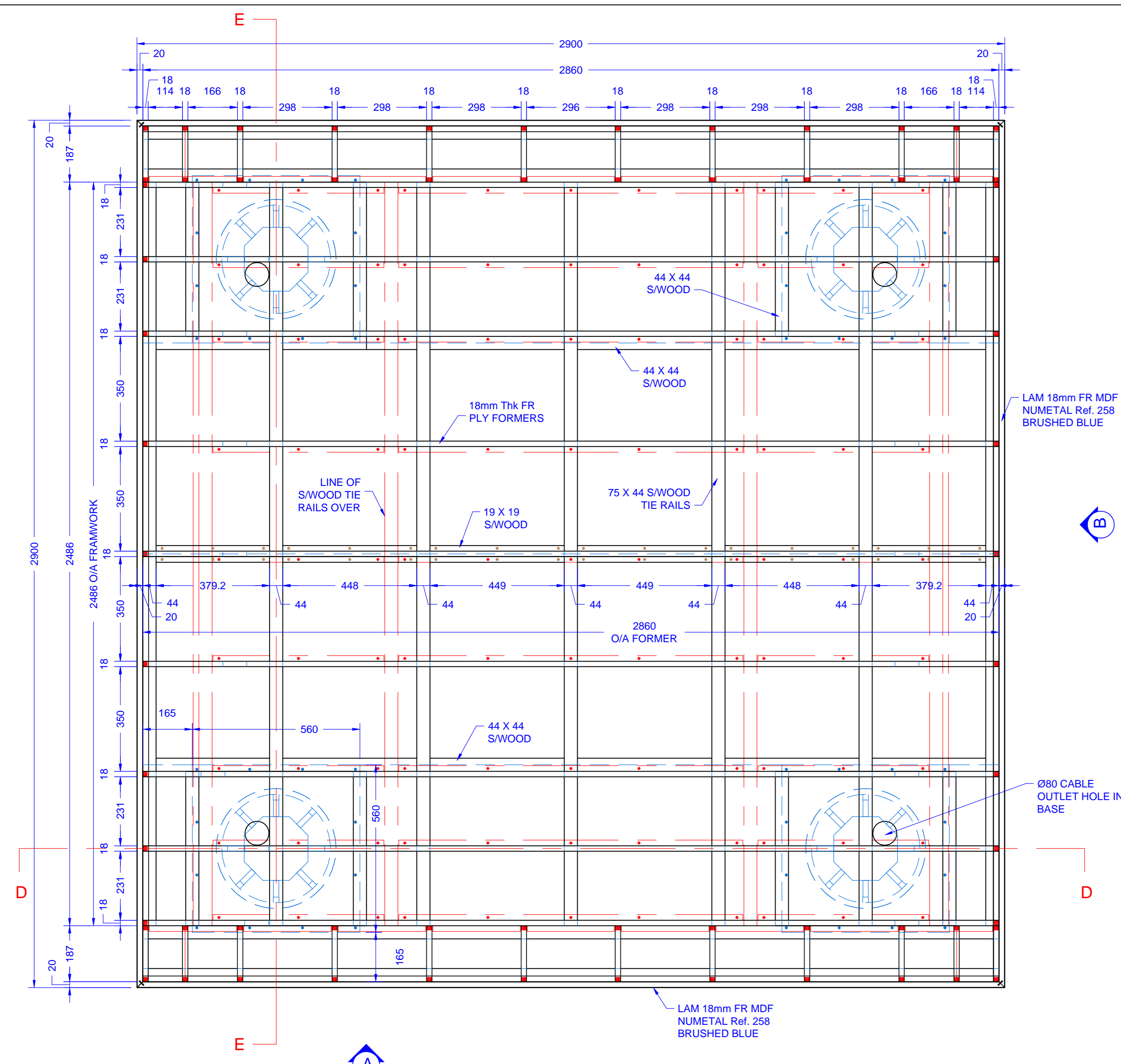
Location of file: E:\Setting Out Ltd\Sample Drawings

SETTING OUT Ltd.
 11, ALBANY ROAD
 PAIGNTON, DEVON
 TQ3 1BT
 Tel: 01803 520466
 e-mail: sales@settingoutlimited.co.uk

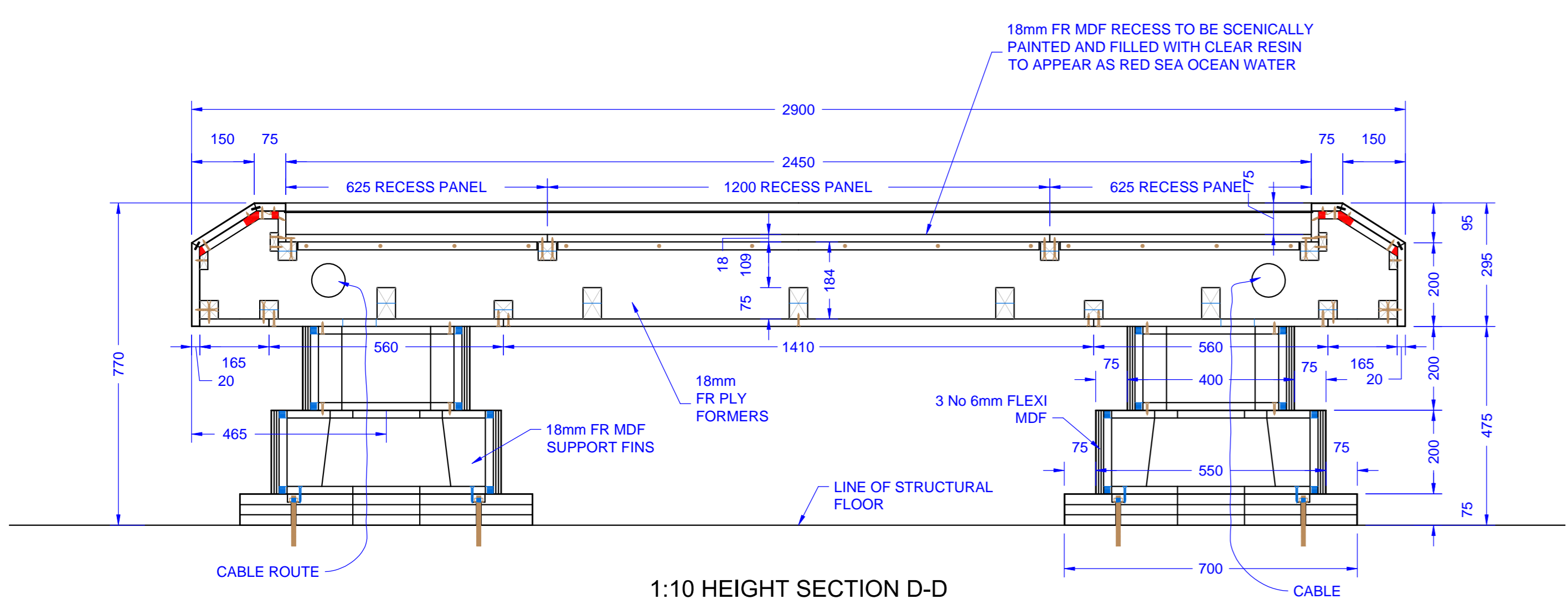
CONTRACT
 ENERGY SCIENCE CENTRE

DRAWING No.	Rev.	SCALE	DRAWN	M. WYATT
BI-ESC-4405-001	-	1:10 & 1:5 (ON A4 PAPER)	DATE	06/12/13

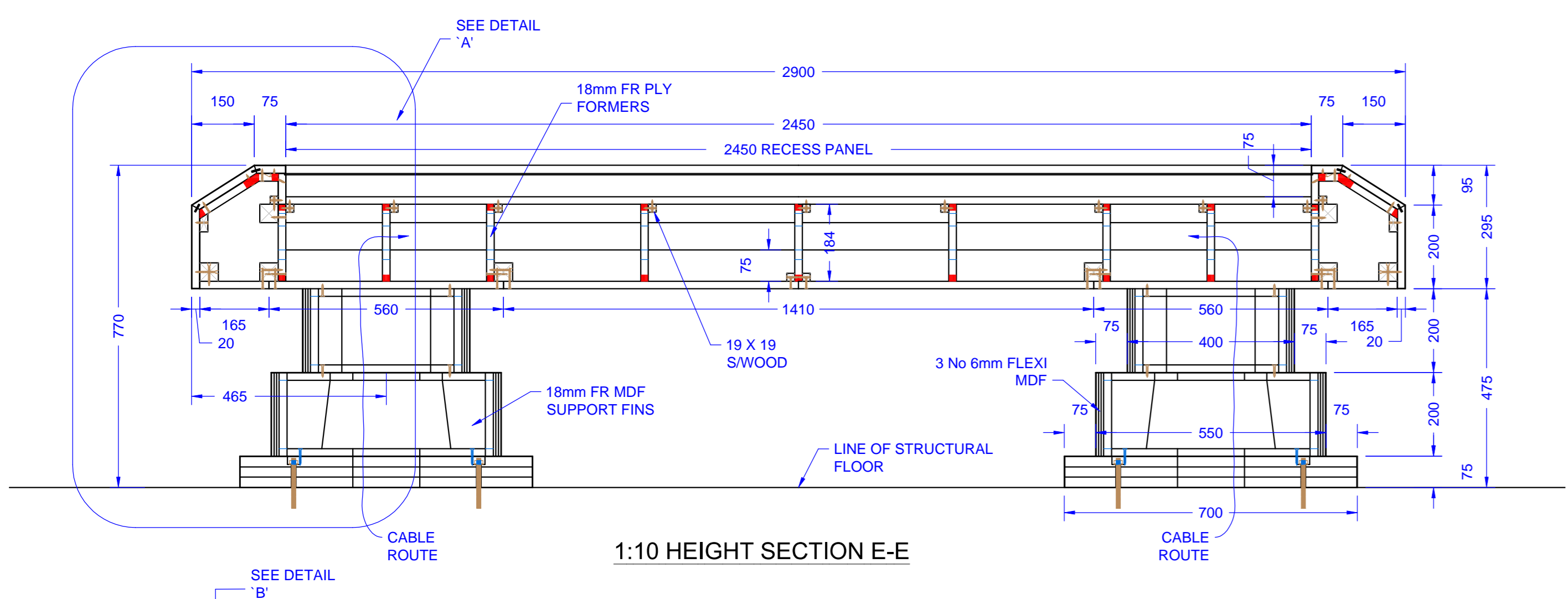
DRAWING TITLE 4405 DEEP SEA DRILLING
 SCALE PLAN, ELEVATIONS & SECTIONS
 DRAWING CHECKED BY
 THIS DRAWING IS COPYRIGHT ©



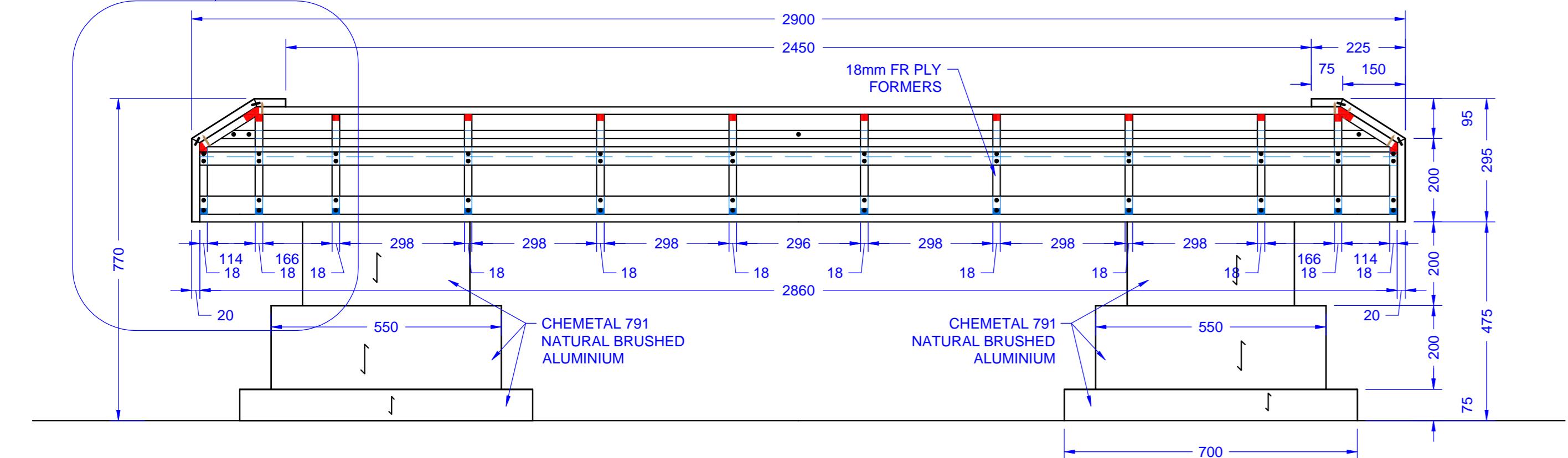
1:10 PLAN SECTION



1:10 HEIGHT SECTION D-D

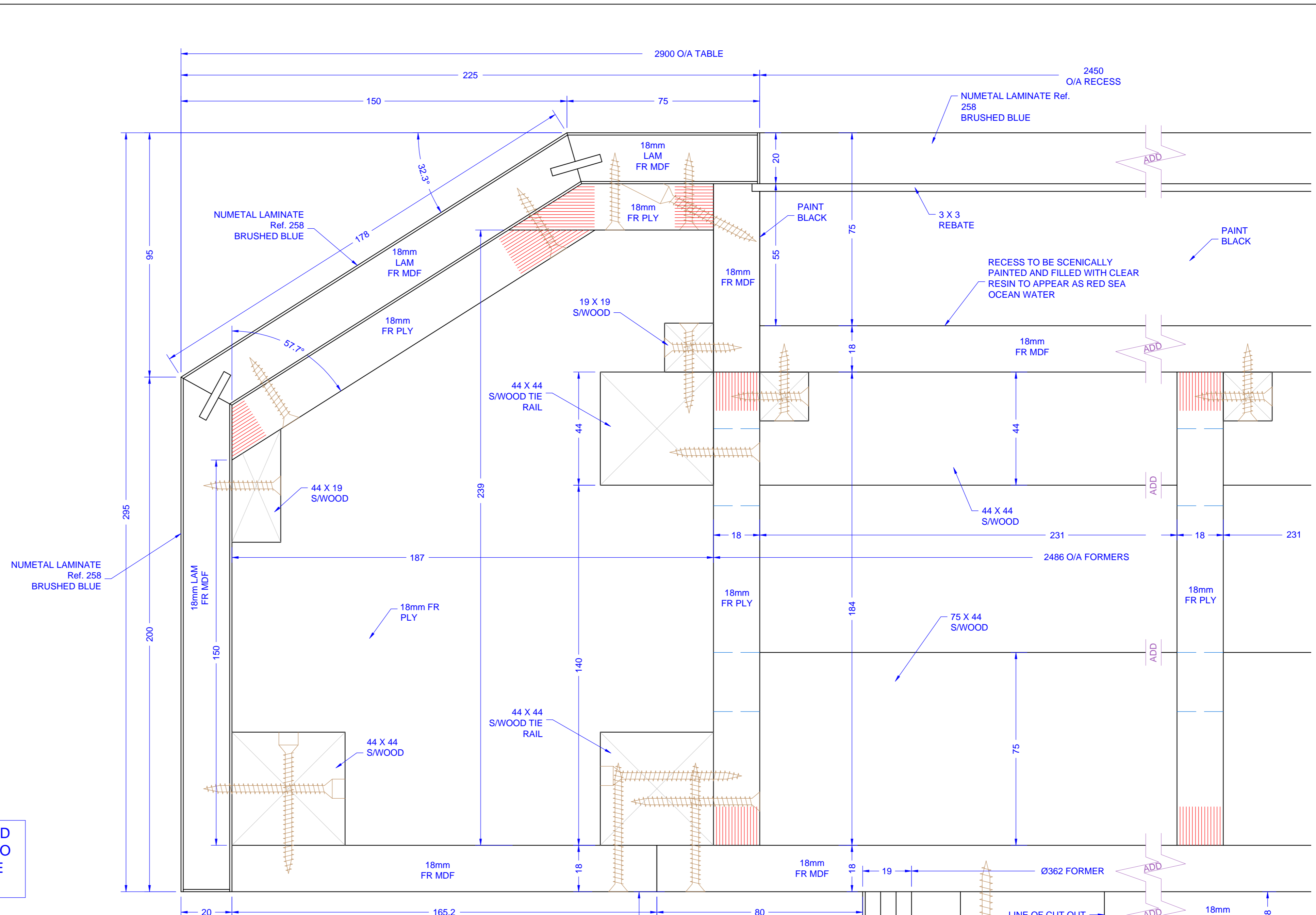


1:10 HEIGHT SECTION E-E

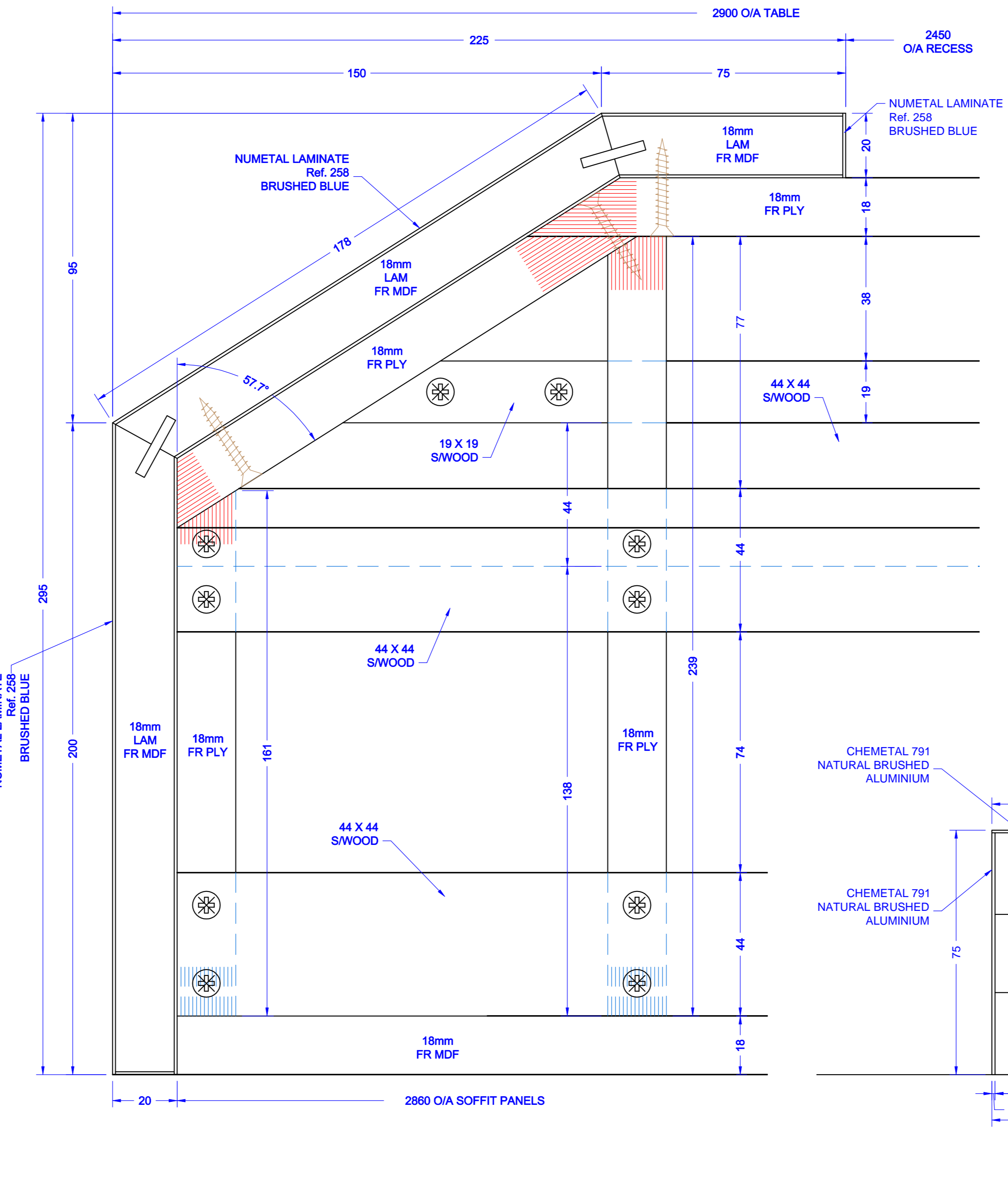


1:10 ELEVATION 'A' WITH LAMINATED PANELS REMOVED

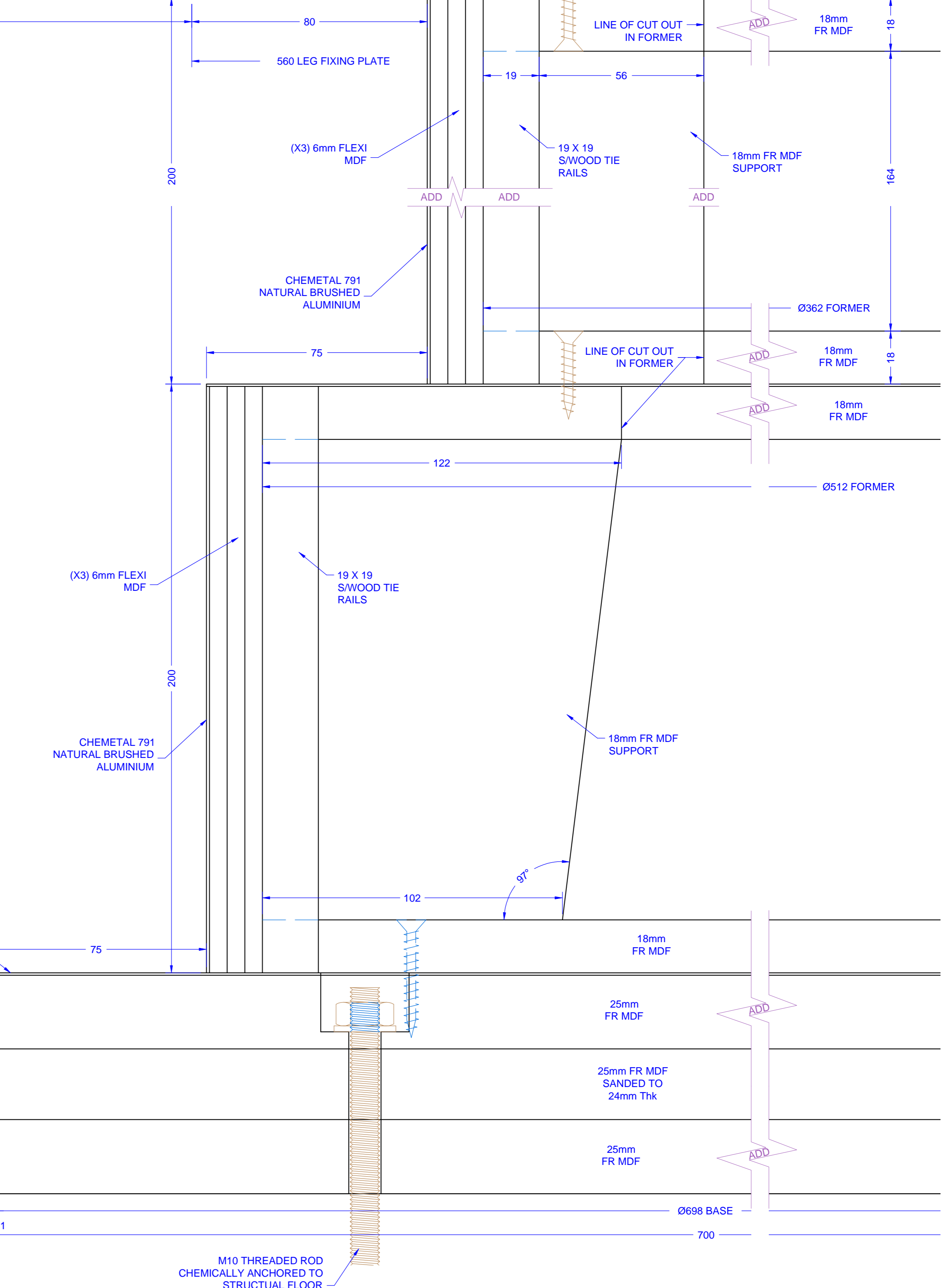
CABLE ENTRY FOR POWER SUPPLY AND THE AV DATA FOR MODEL WILL HAVE TO RUN UP INTO THE RIG VIA ONE OF THE MODEL LEGS.



1:1 DETAIL 'B'



1:1 DETAIL 'A'



1:1 DETAIL 'A'

NOTES:
 READ IN CONJUNCTION WITH DRAWING Nos. BI-ESC-4405-001 BI-ESC-4405-003

REV	DESCRIPTION	DATE	BY
-	-	-	-

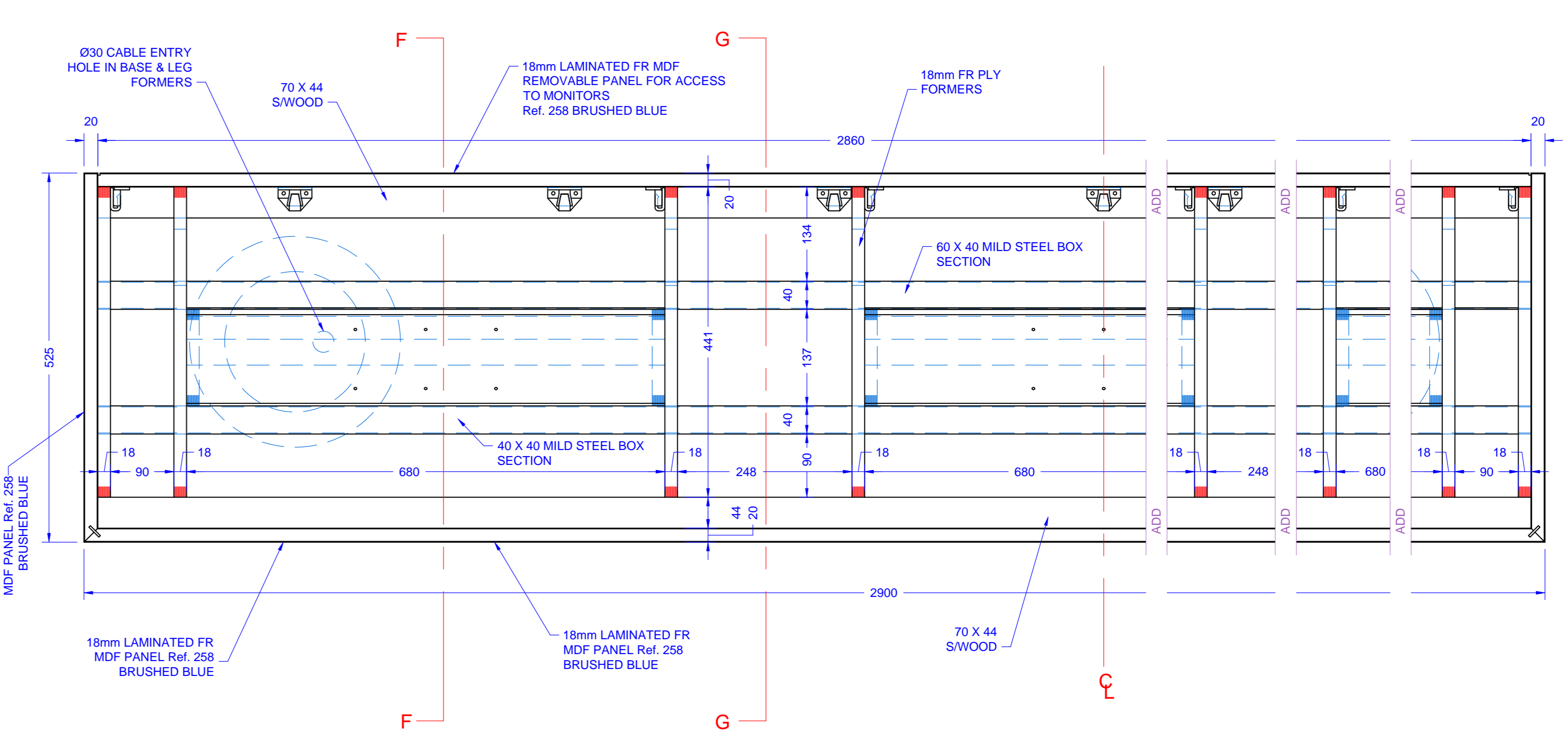
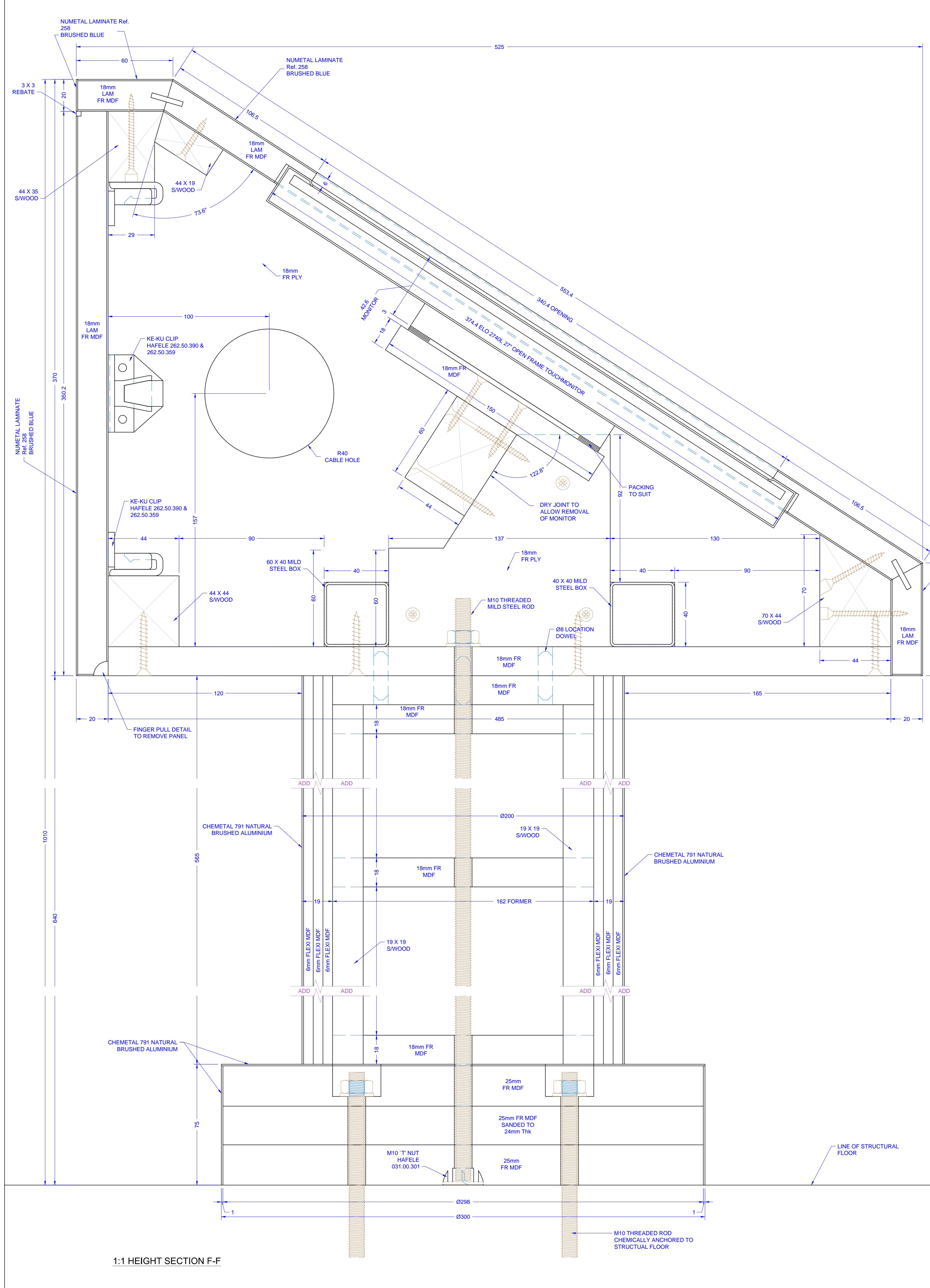
Location of file: E:\Setting Out Ltd\Sample Drawings

SETTING OUT Ltd.
 11, ALBANY ROAD
 PAIGNTON, DEVON
 TQ3 1BT
 Tel: 01803 520466
 e-mail: sales@settingoutlimited.co.uk

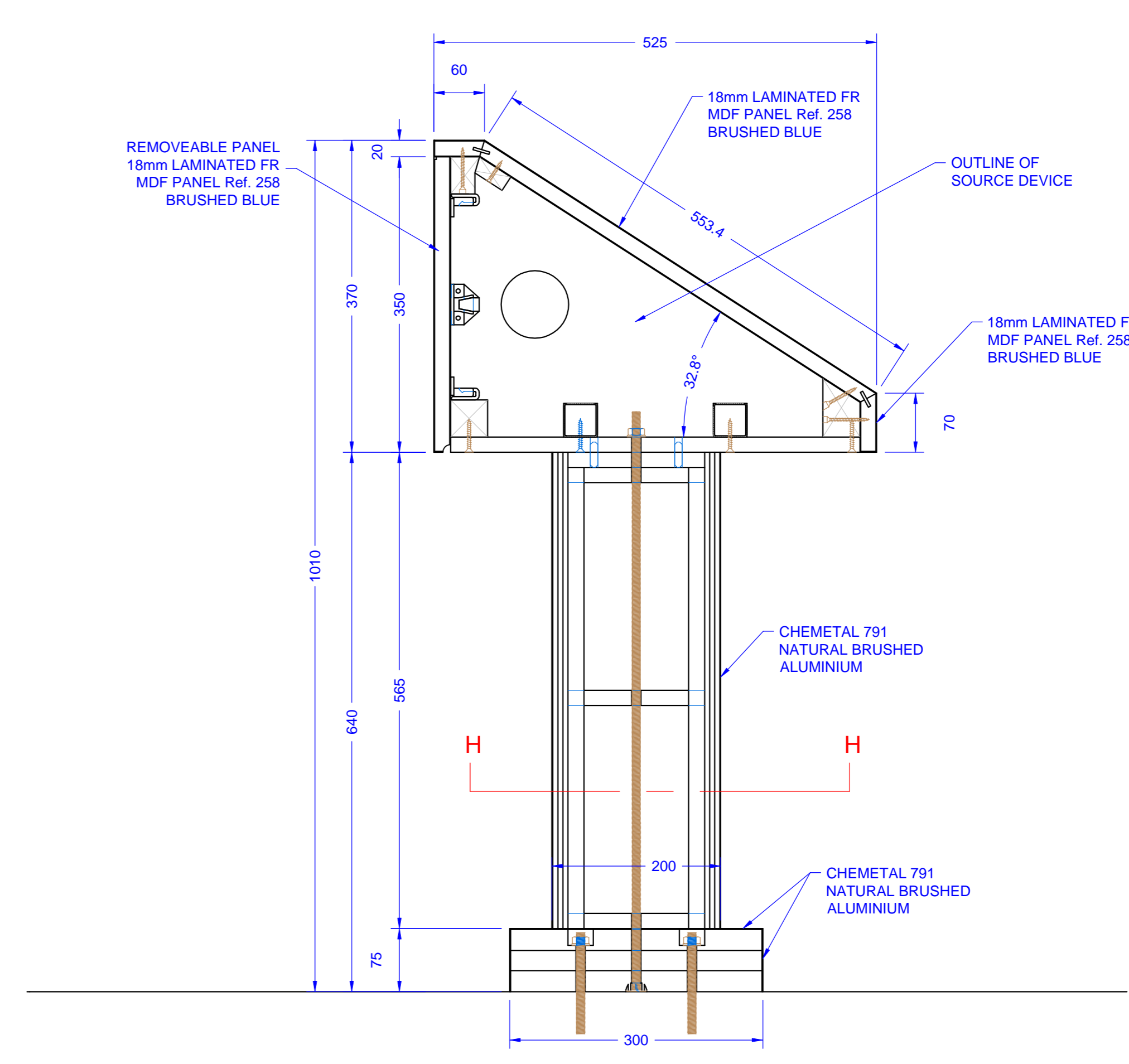
CONTRACT
 ENERGY SCIENCE CENTRE

DRAWING No.	Rev.	SCALE	DRAWN	M. WYATT
BI-ESC-4405-002	-	1:10 & 1:1 (ON A4 PAPER)	DATE	06/12/13

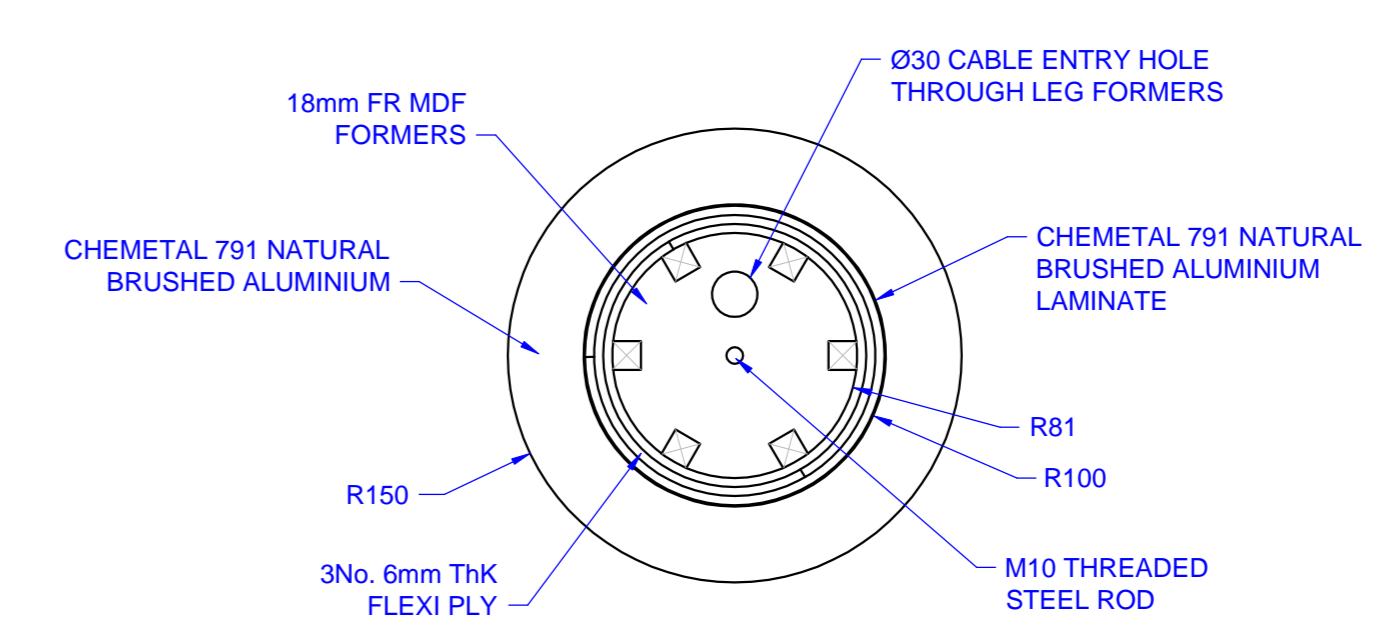
DRAWING TITLE 4405 DEEP SEA DRILLING
 MODEL SUPPORT BASE, SCALE & F/SIZE SECTIONS
 DRAWING CHECKED BY
 THIS DRAWING IS COPYRIGHT ©



1:5 PLAN SECTION



1:5 HEIGHT SECTION G-G



1:5 PLAN SECTION H-H

SOURCE EQUIPMENT TO BE HOUSED BEHIND THE WALL AREA OF EXHIBIT 4406

NOTES:
 READ IN CONJUNCTION WITH DRAWING Nos.
 BI-ESC-4405-001
 BI-ESC-4405-002

8	Location of source equipment confirmed.	22/04/14	MW
A	Amended to suit comments received	03/12/13	MW
	28/01/14		
REV	DESCRIPTION	DATE	BY

Location of file: E:\Setting Out Ltd\Sample Drawings

SETTING OUT Ltd.
 11, ALBANY ROAD
 PAIGNTON, DEVON
 TQ3 1BT
 Tel: 01803 520466
 e-mail: sales@settingoutlimited.co.uk

CONTRACT				
ENERGY SCIENCE CENTRE				
DRAWING No.	Rev.	SCALE	DRAWN	M. WYATT
BI-ESC-4405-003	B	1:1 & 1:5 (On A4 PAPER)	DATE	06/12/13
DRAWING TITLE 4405 DEEP SEA DRILLING				
CONSOLE SCALE & F/SIZE PLAN & HEIGHT SECTIONS				
DRAWING CHECKED BY				
THIS DRAWING IS COPYRIGHT ©				