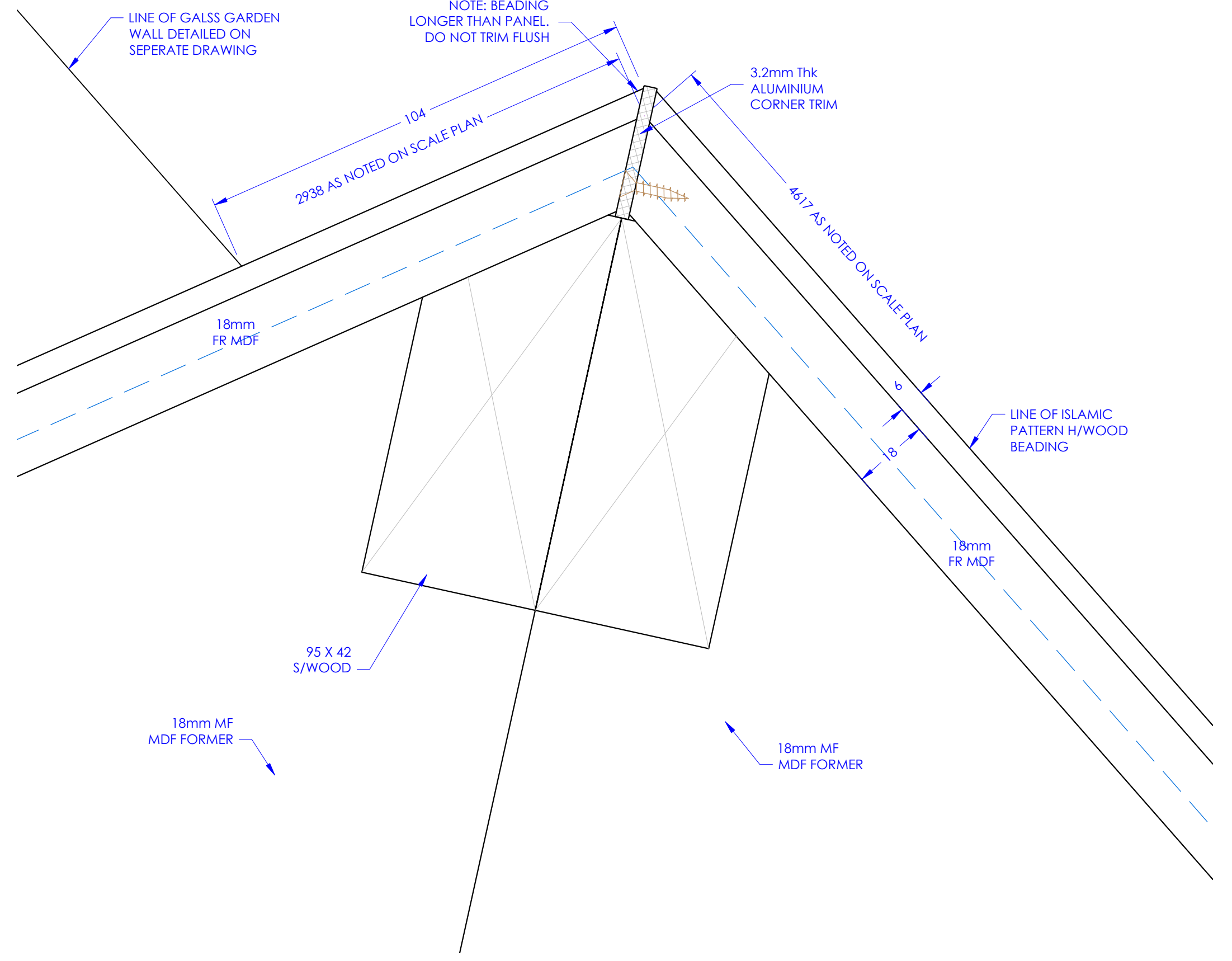
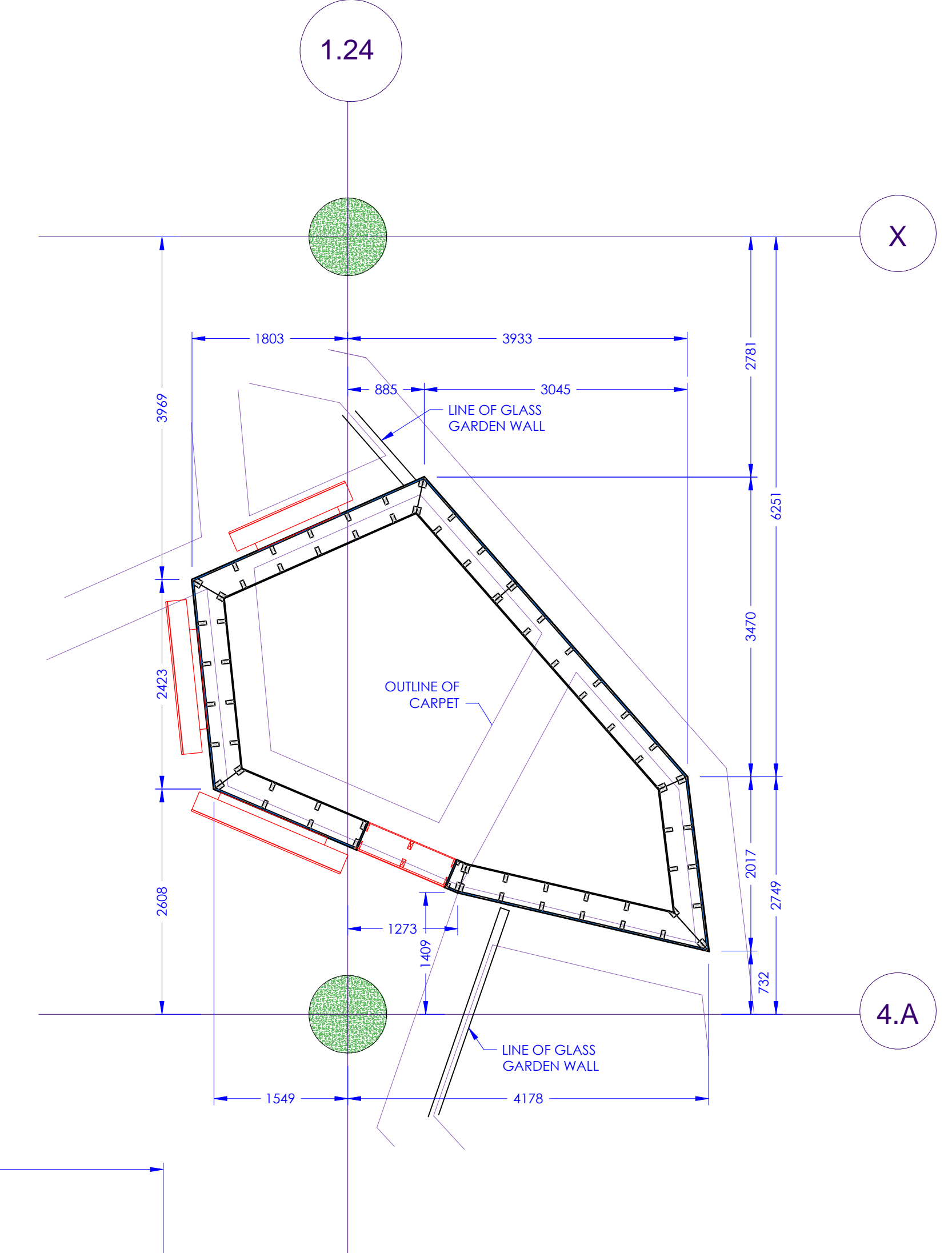


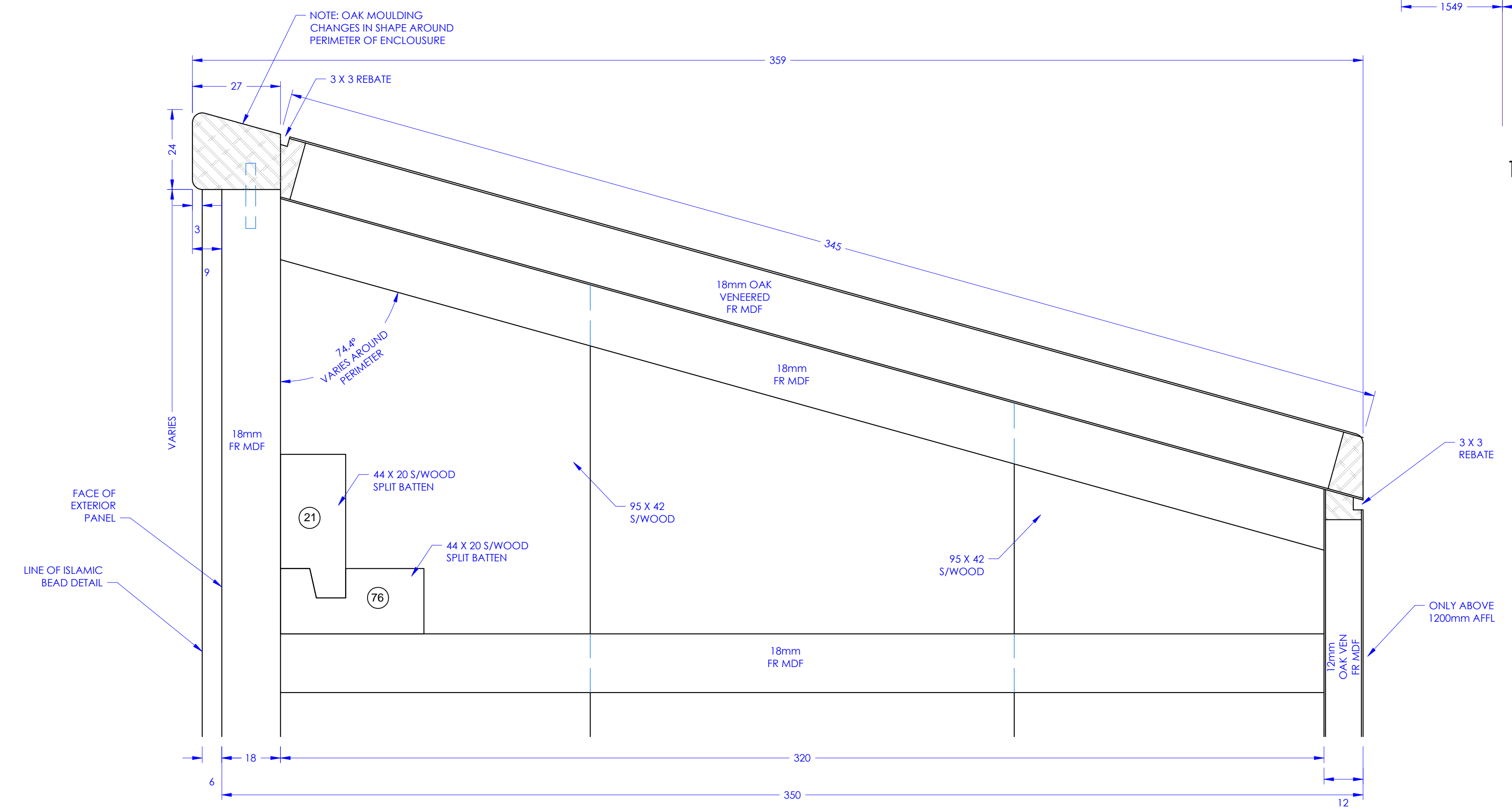
1:20 PLAN SECTION



1:1 DETAIL 'A'

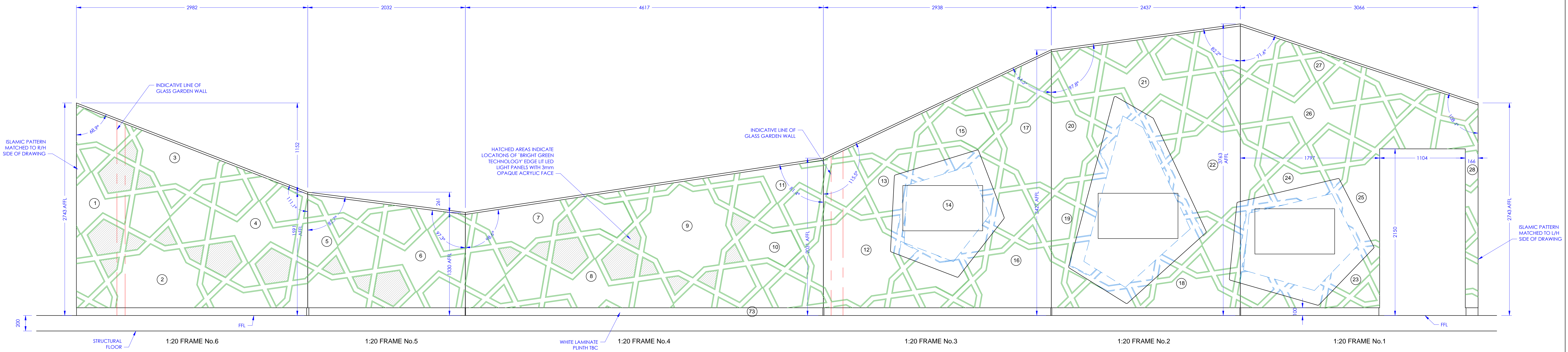


1:50 LOCATION PLAN



1:1 DETAIL 'B'

NOTE:
PANEL SIZES ARE TO CENTER OF ALUMINIUM CORNER TRIM NOT PHYSICAL PANEL. MITER PANELS BEFORE APPLYING BEADING TO FACE.



1:20 EXTERIOR FACE ELEVATION

NOTES:
ALL MDF FOR ENCLOSURE TO BE FR MDF. EXTERIOR OF ENCLOSURE TO BE PAINTED READY FOR FINE ROLLER FINISH ON SITE TO APPROVED SAMPLE. COLOUR TBC
INTERNAL FACE BELOW 1200MM AFFL - 12MM FR MDF WITH RECESSED ISLAMIC PATTERN PAINTED READY FOR FINE ROLLER FINISH TO APPROVED SAMPLE.
INTERNAL FACE ABOVE 1200MM AFFL - 12MM OAK VENEERED FR MDF.
PLINTH TO BE WHITE LAMINATE. SPEC TBC. SAMPLE REQUIRED.
EXTERNAL ISLAMIC PATTERN TO SUIT APPROVED SAMPLE BEADING.

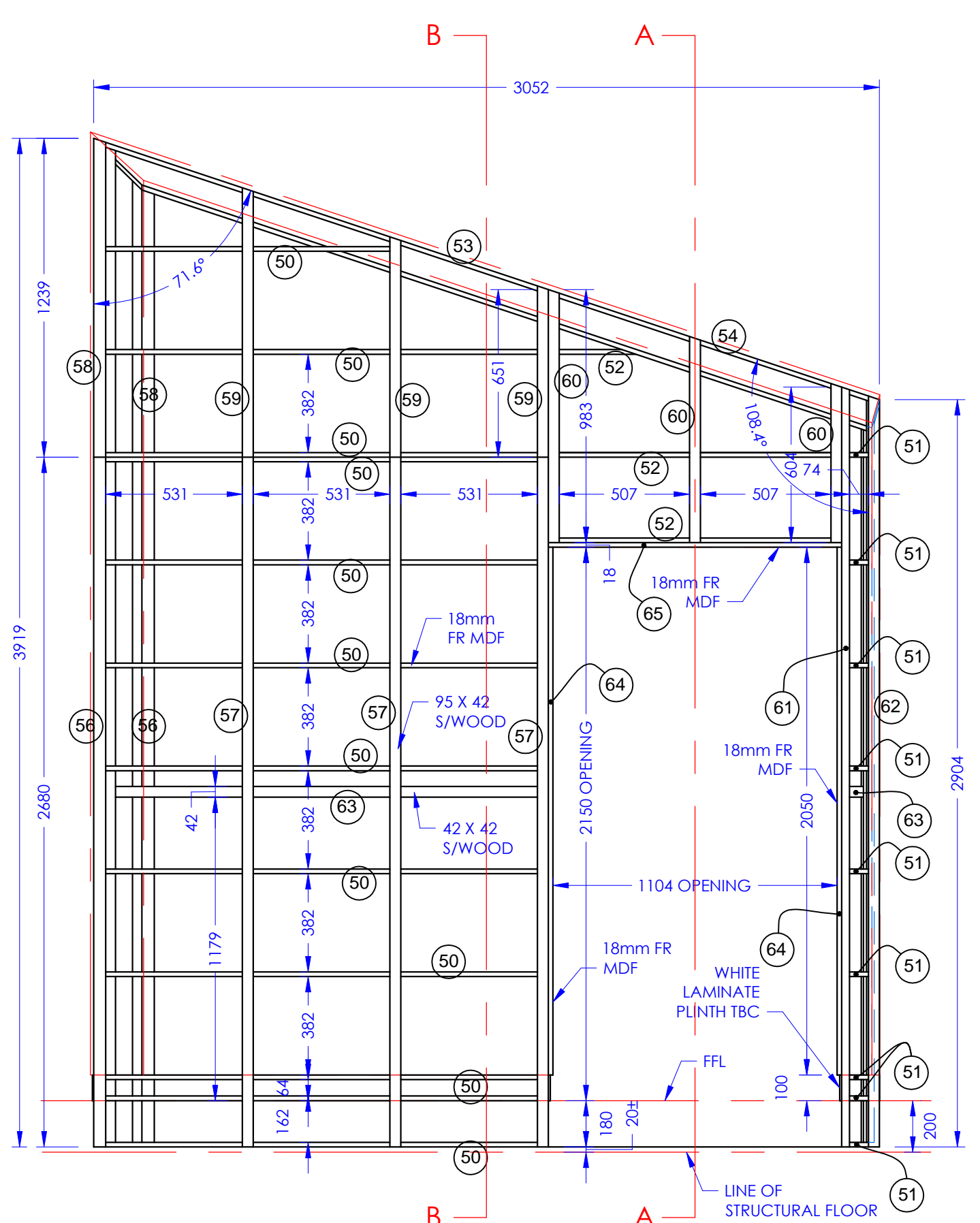
These drawings have been checked for consistency in accordance with Roto Studio drawings and specification. Approved for construction.

B	ITEM NUMBERS ADDED	09/07/15	MW
A	DRAWING AMENDED TO SUIT STATUS 'B' COMMENTS RECEIVED 04/06/15	11/06/15	MW
REV	DESCRIPTION	DATE	BY

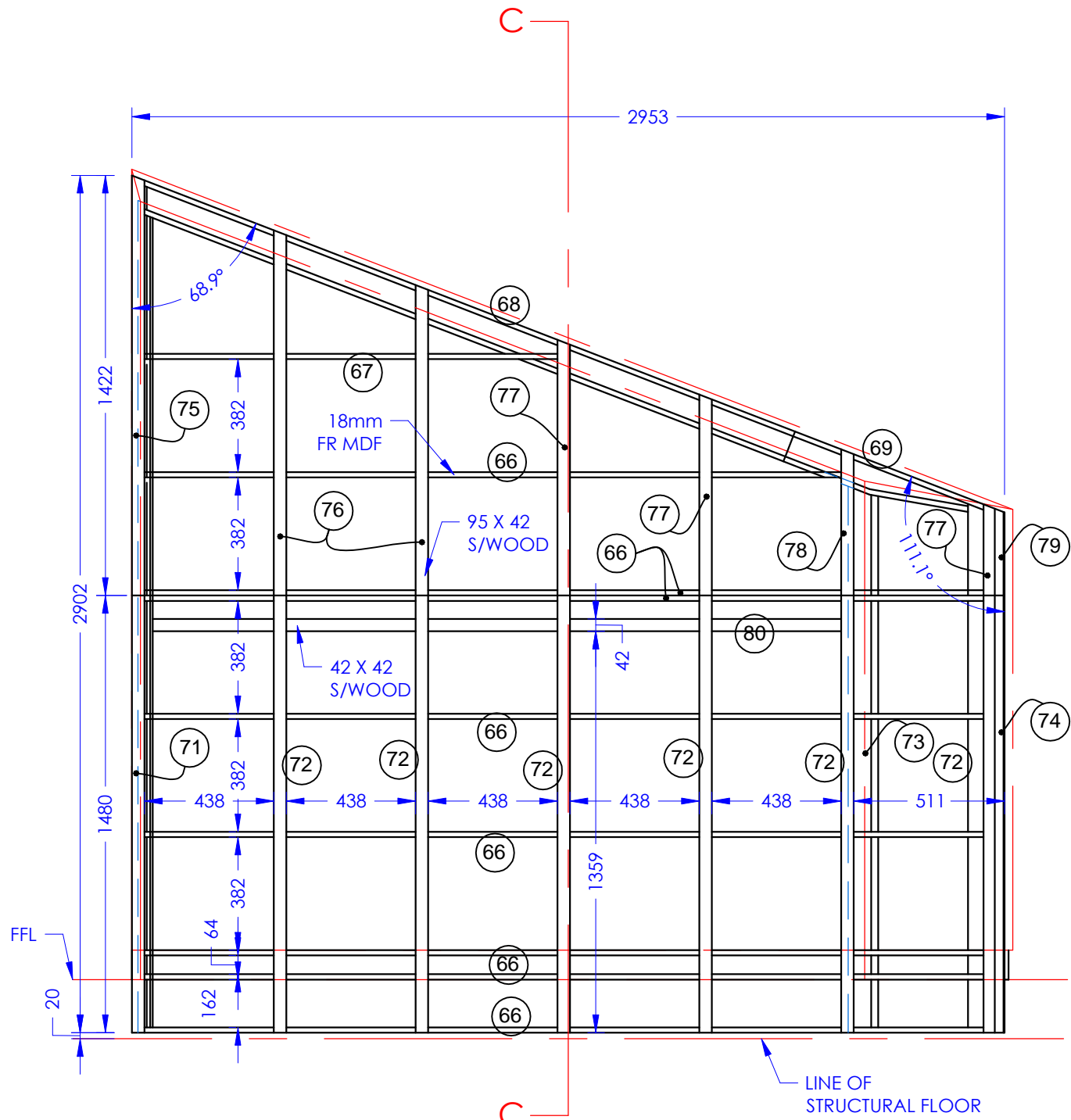
Location of file: E:\Setting Out Ltd\Sample Drawings

SETTING OUT Ltd.
11, ALBANY ROAD
PAIGNTON, DEVON
TQ3 1BT
Tel: 01803 520466
e-mail: sales@settingoutlimited.co.uk

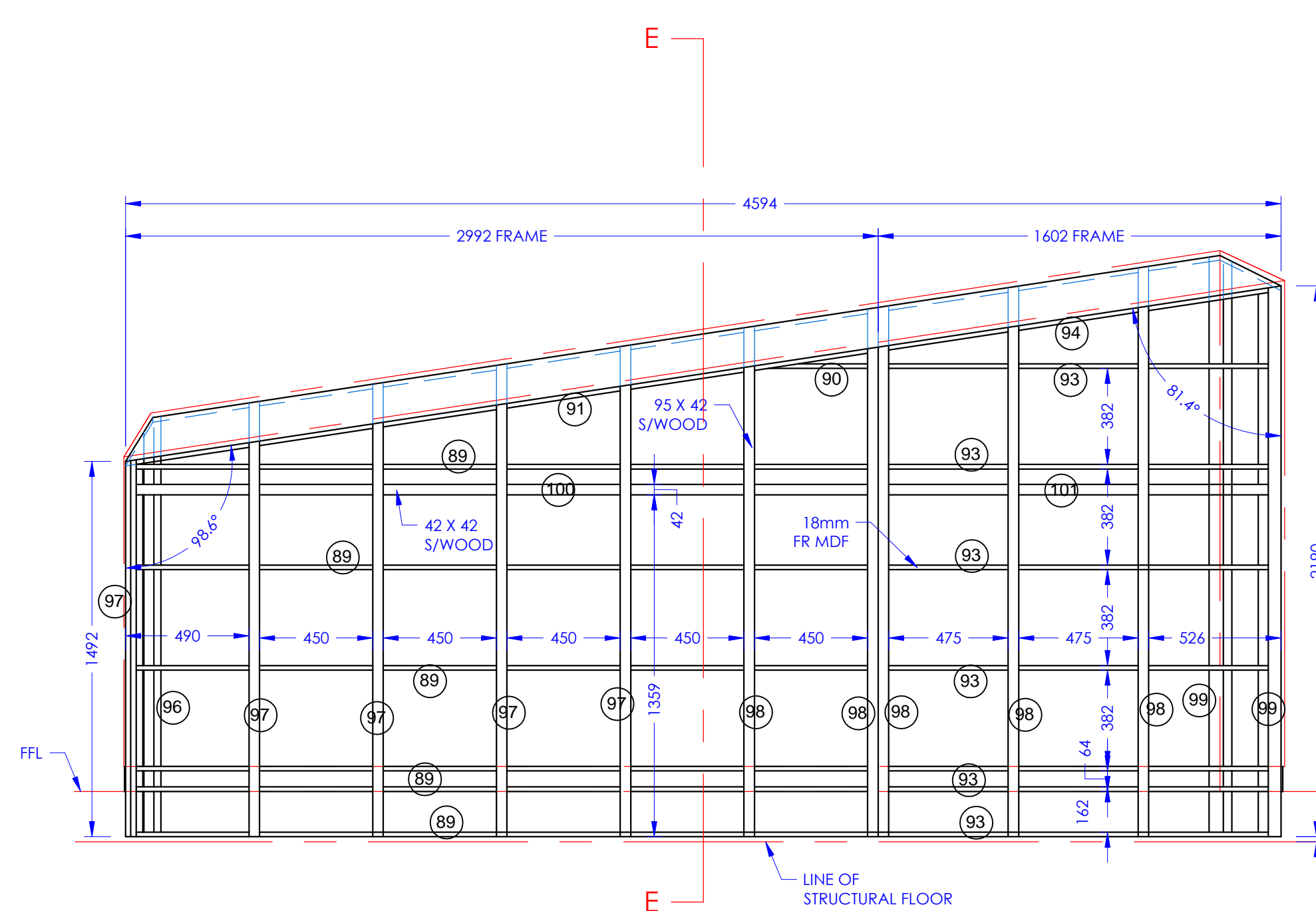
CONTRACT					
ISLAMIC ARTS - STORIES IN THE COURTYARD					
DRAWING No.	Rev.	SCALE	DRAWN	M. WYATT	
BI-CDZ-IA-SC-001	B	As Noted	DATE	08/05/15	
DRAWING TITLE ENCLOSURE STRUCTURE					
EXTERIOR ELEVATIONS & PLAN SECTION					
DRAWING CHECKED BY					
THIS DRAWING IS COPYRIGHT ©					



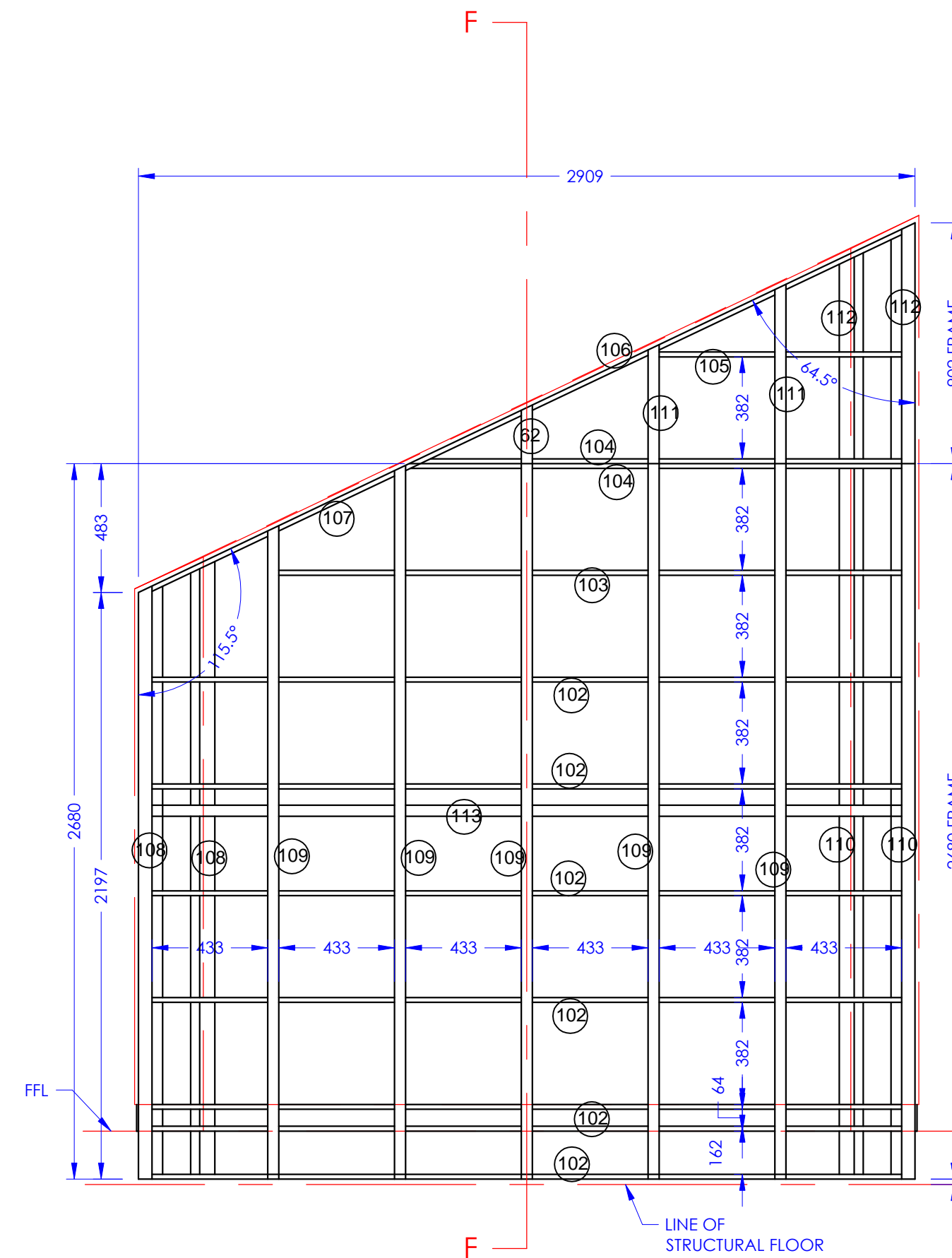
1:20 FRAME No.1
EXTERIOR FACE



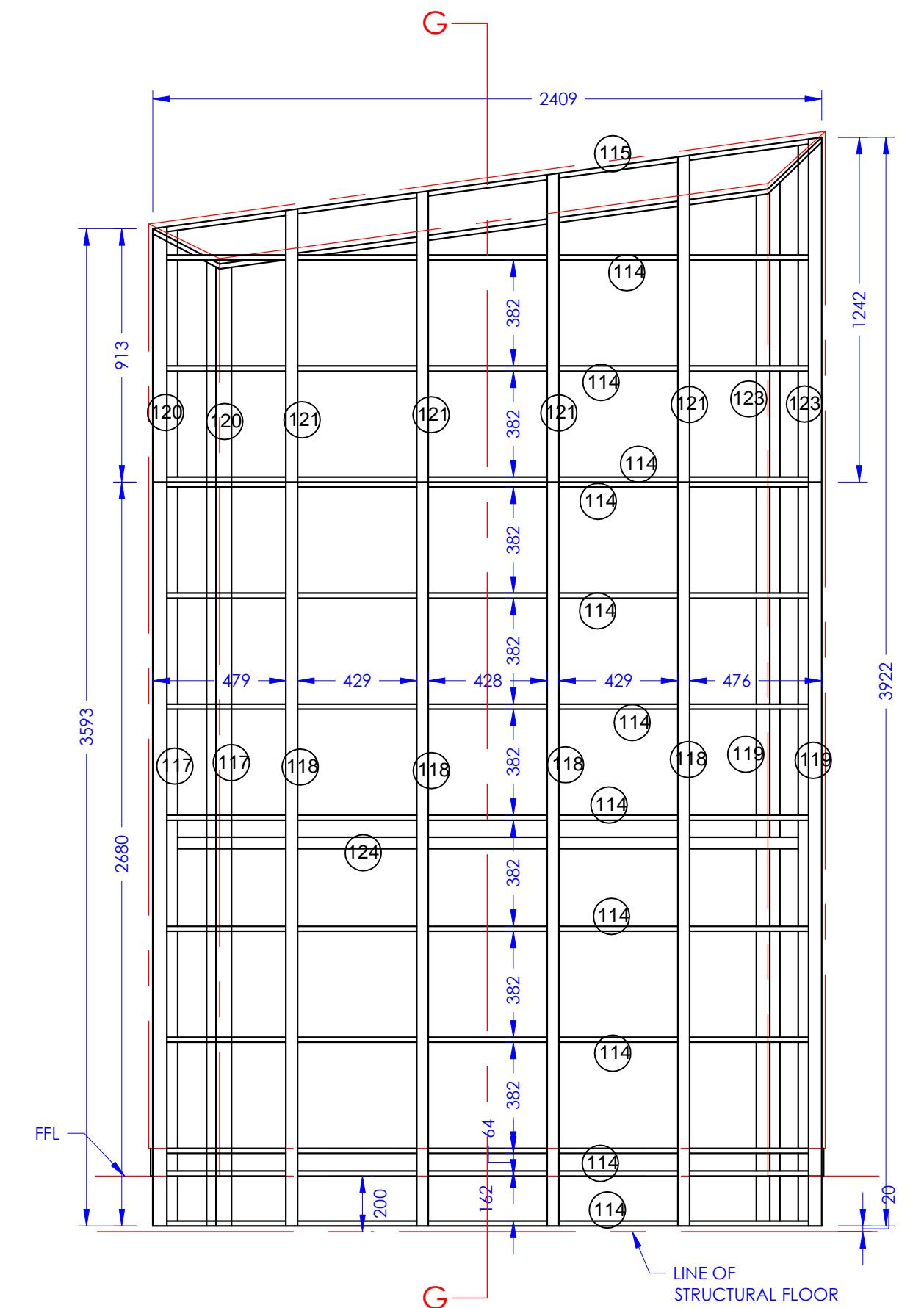
1:20 FRAME No.2
EXTERIOR FACE



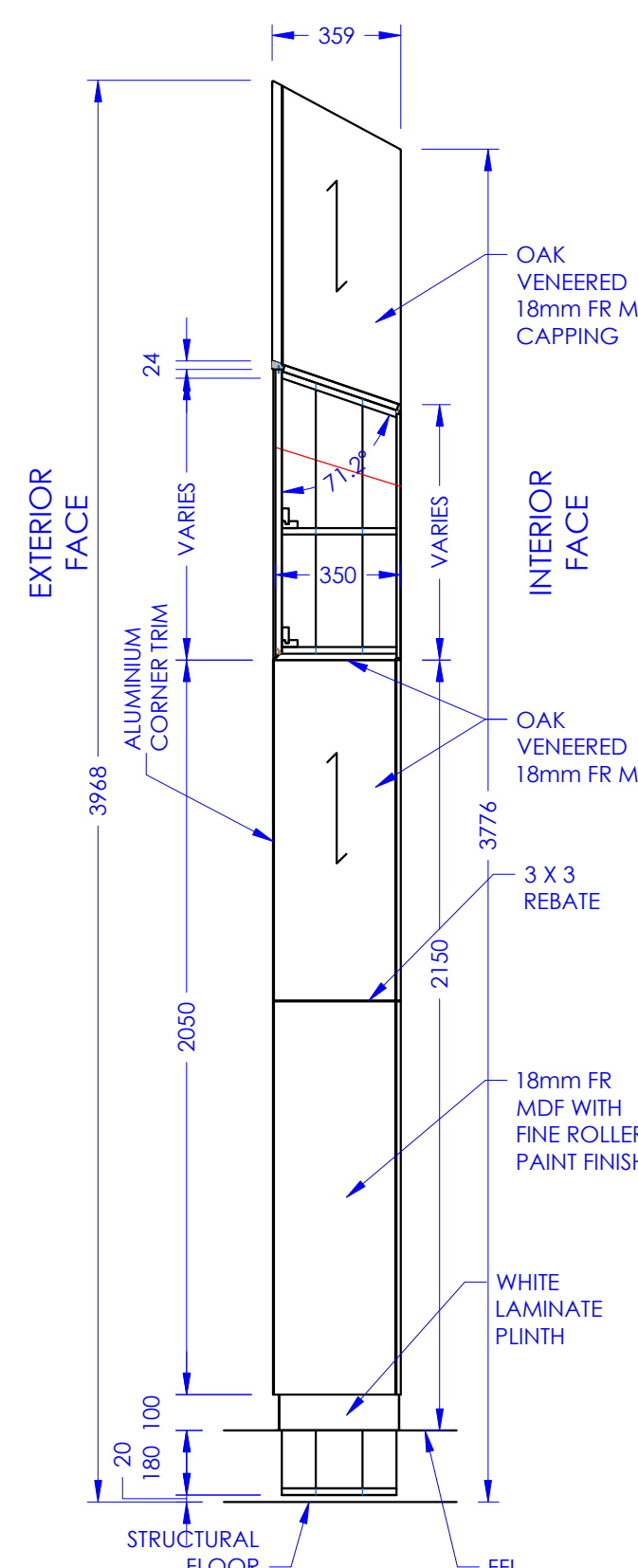
1:20 FRAME No.4
EXTERIOR FACE



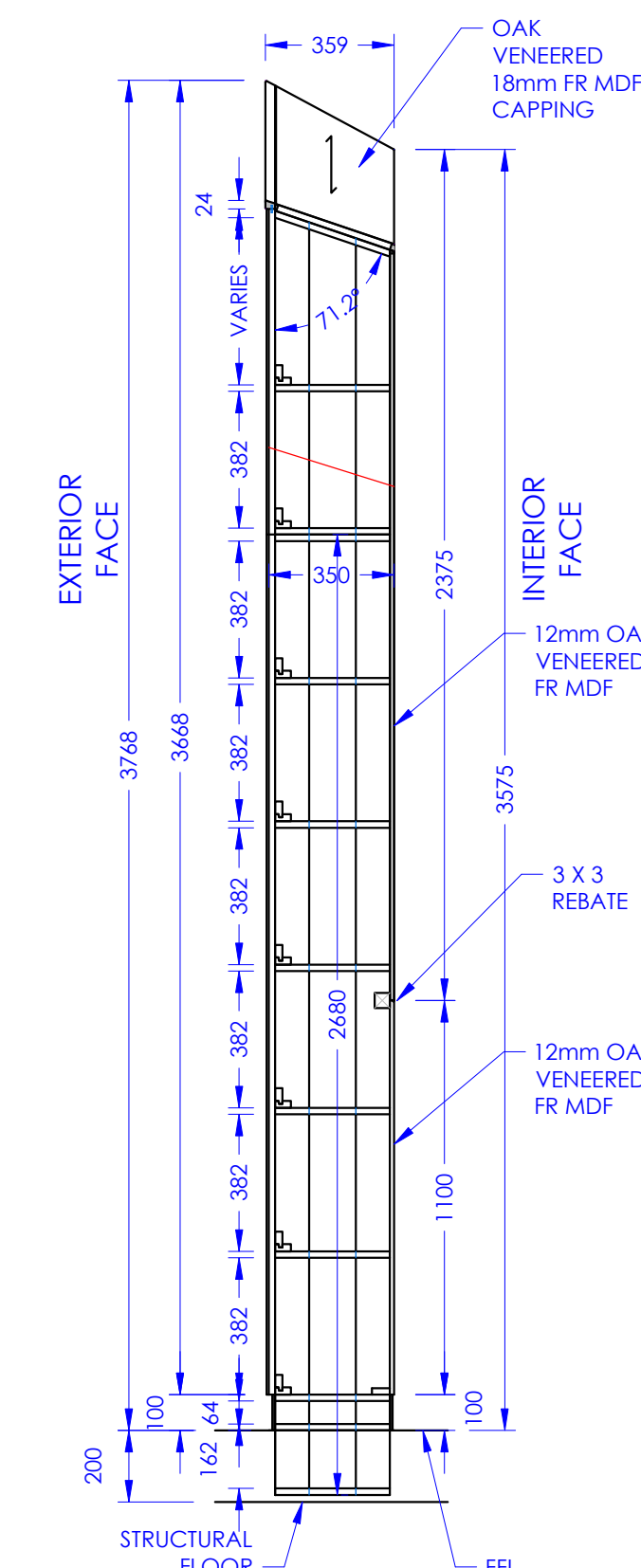
1:20 FRAME No.5
EXTERIOR FACE



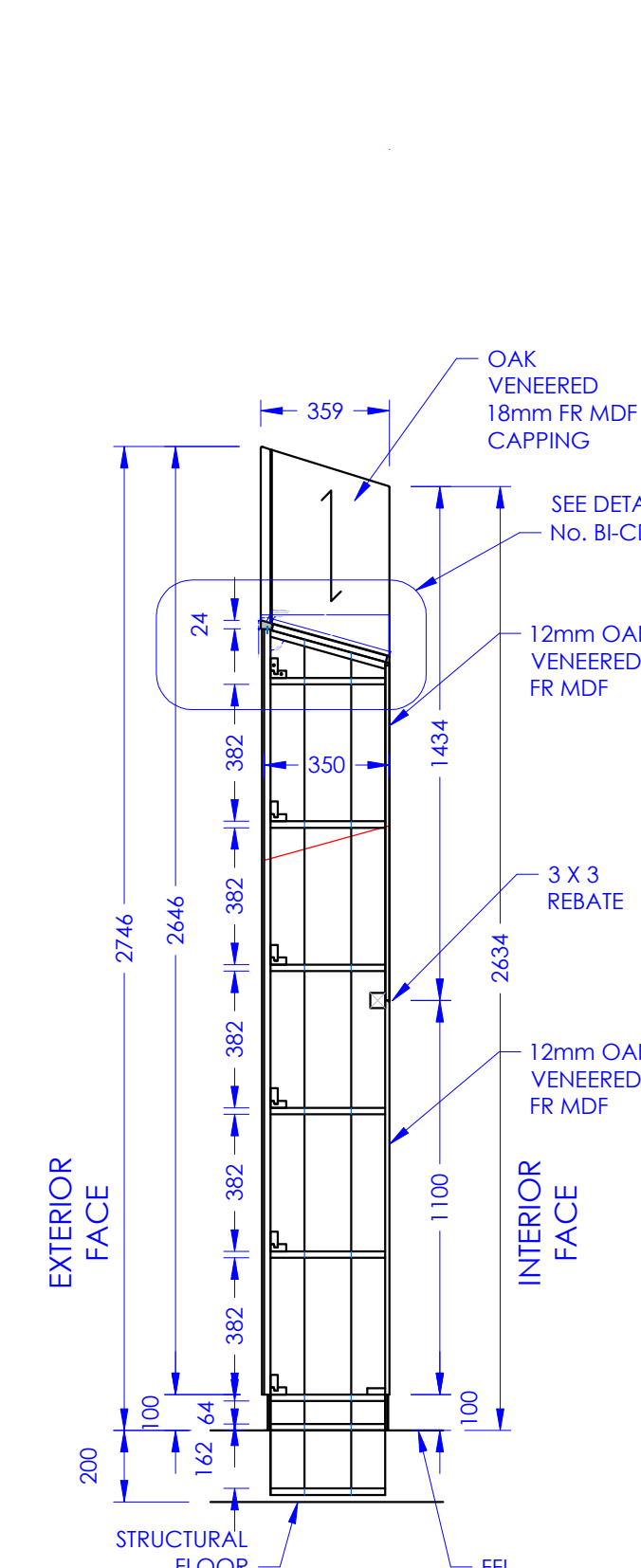
1:20 FRAME No.6
EXTERIOR FACE



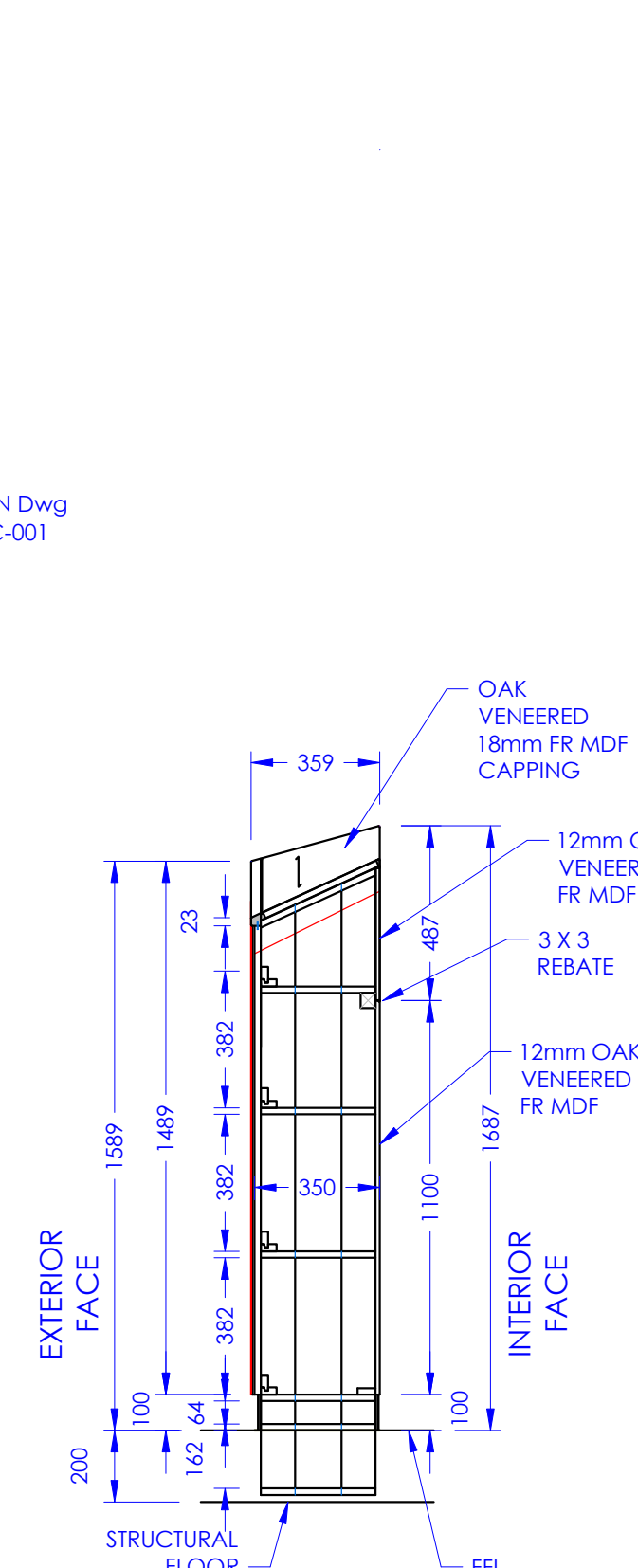
HEIGHT SECTION A-A



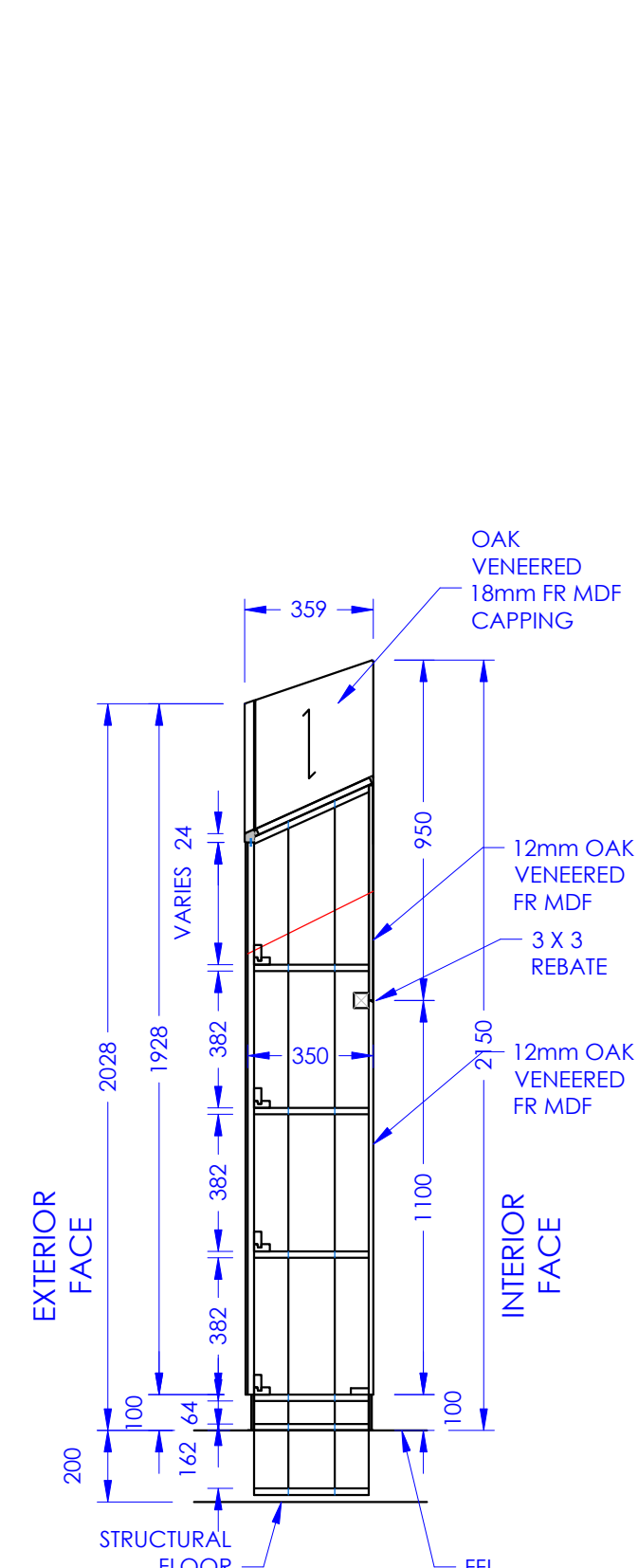
HEIGHT SECTION B-B



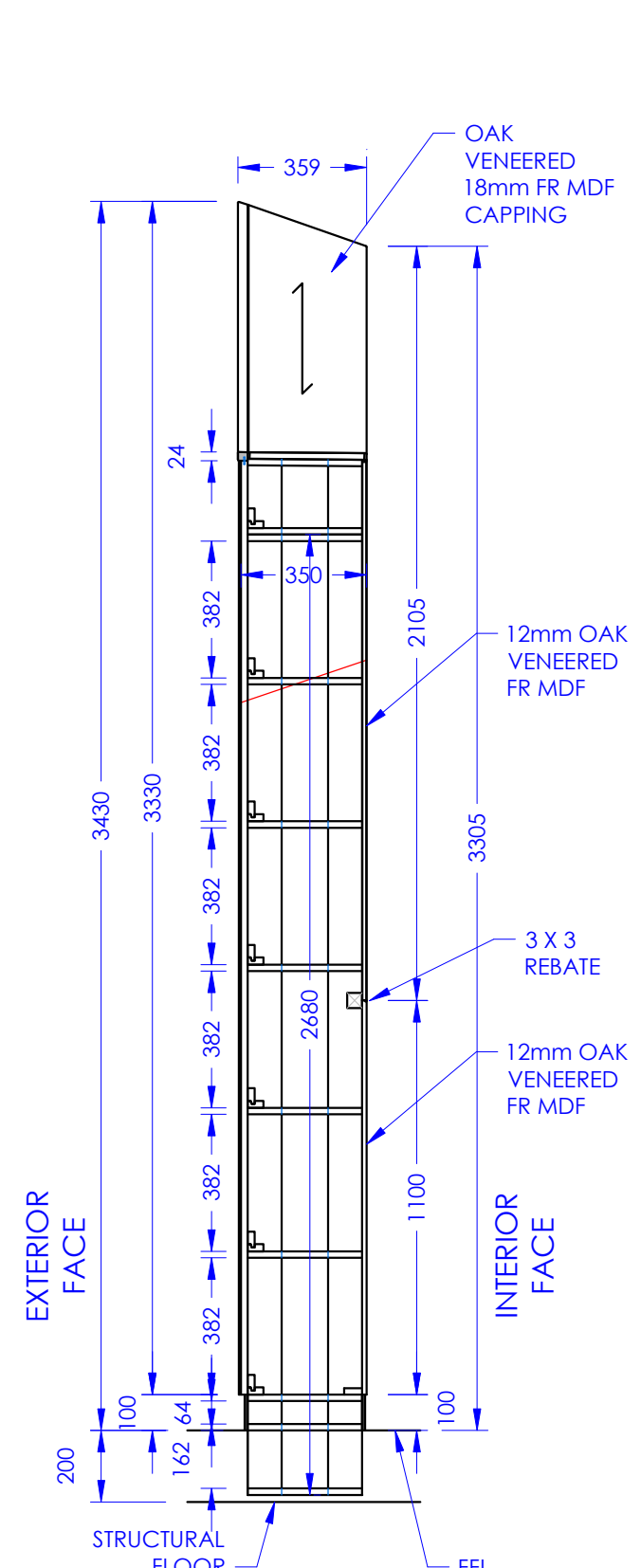
HEIGHT SECTION C-C



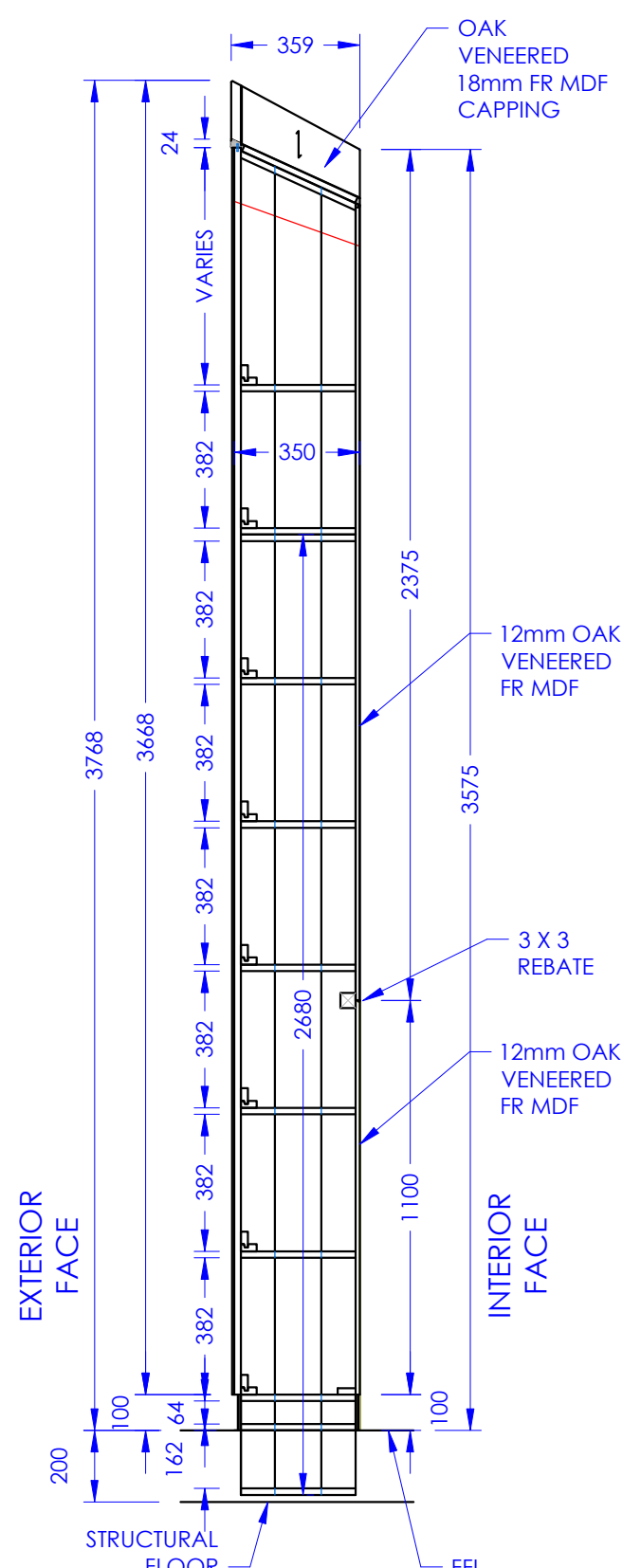
HEIGHT SECTION D-D



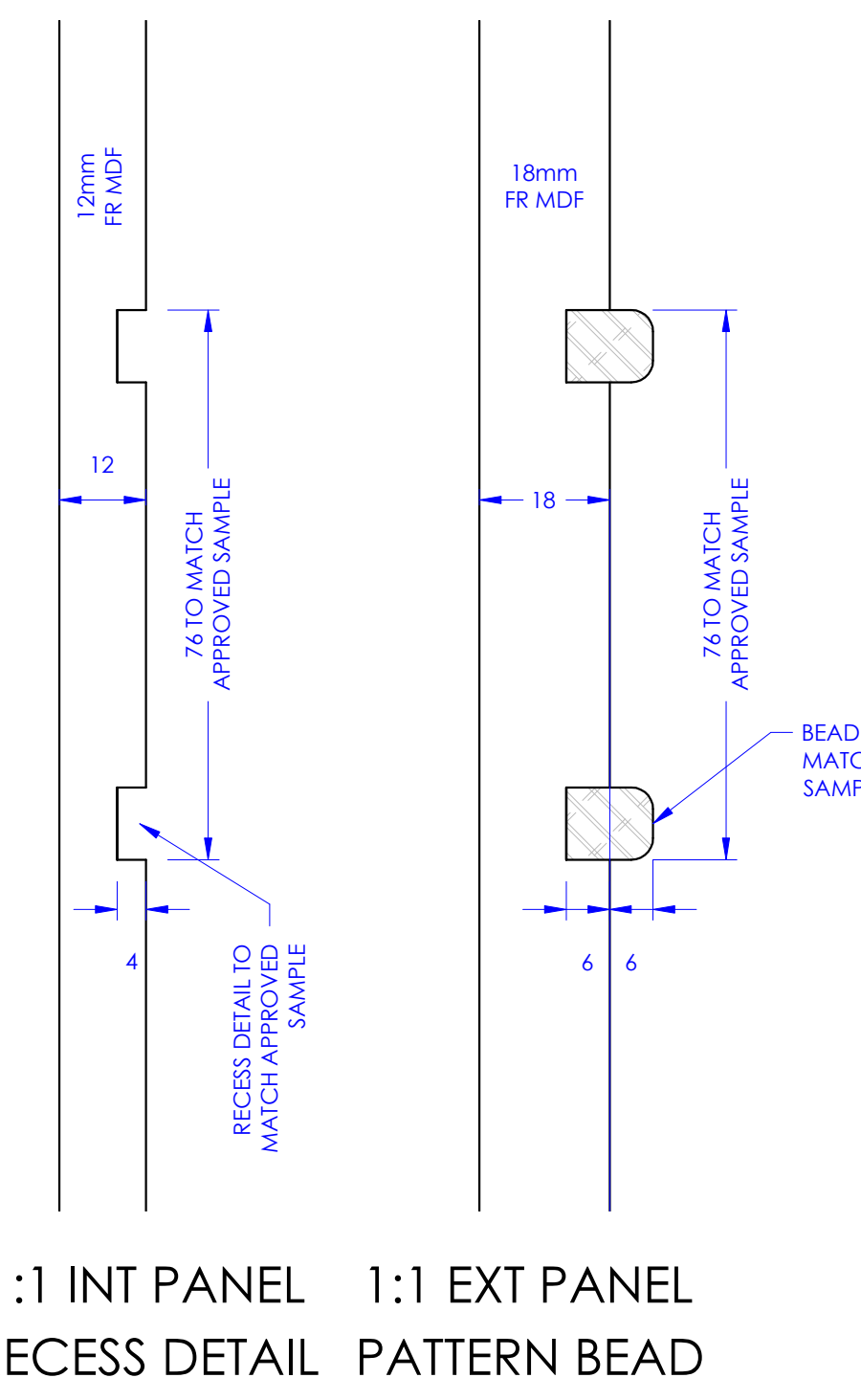
HEIGHT SECTION E-E



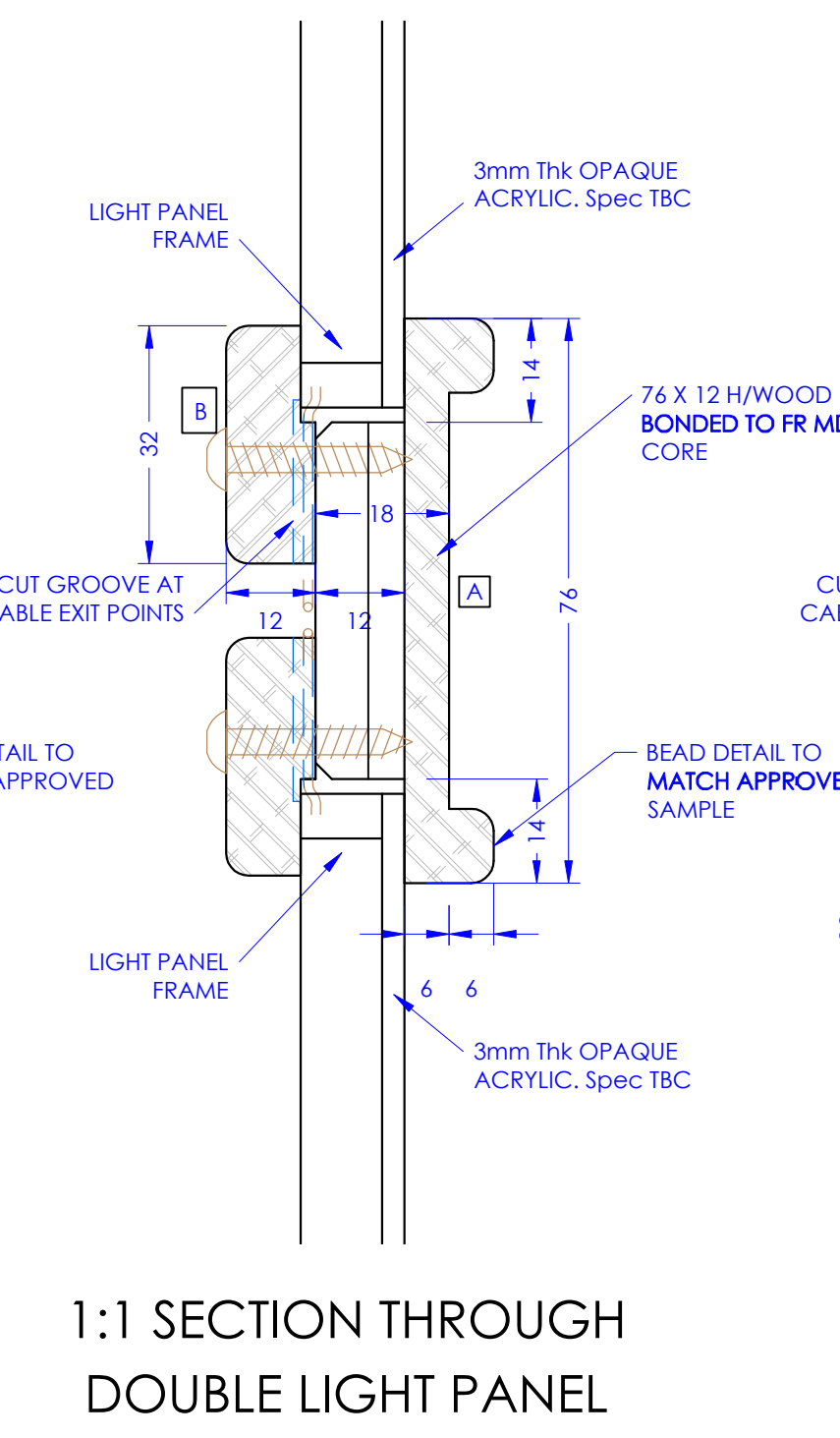
HEIGHT SECTION F-F



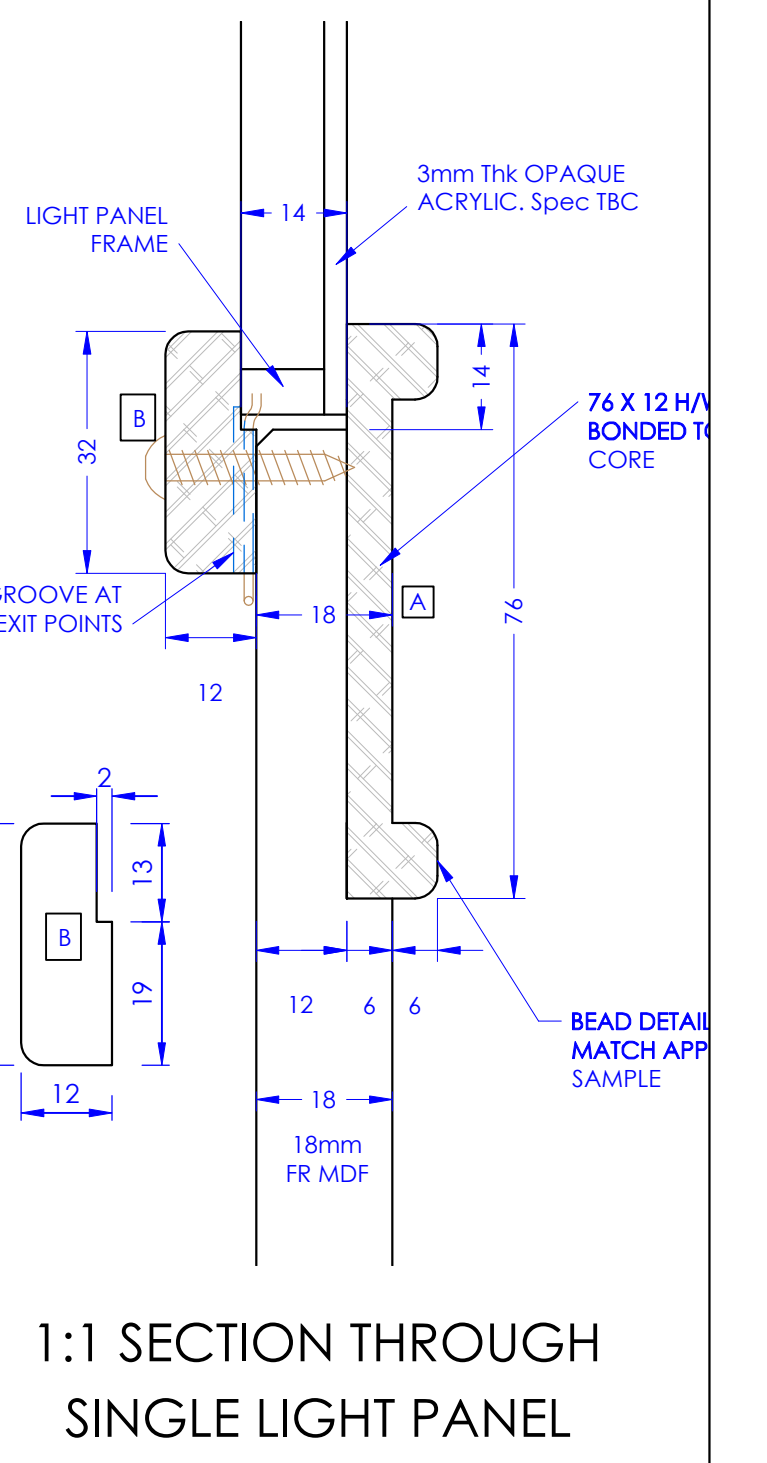
HEIGHT SECTION G-G



1:1 INT PANEL
RECESS DETAIL



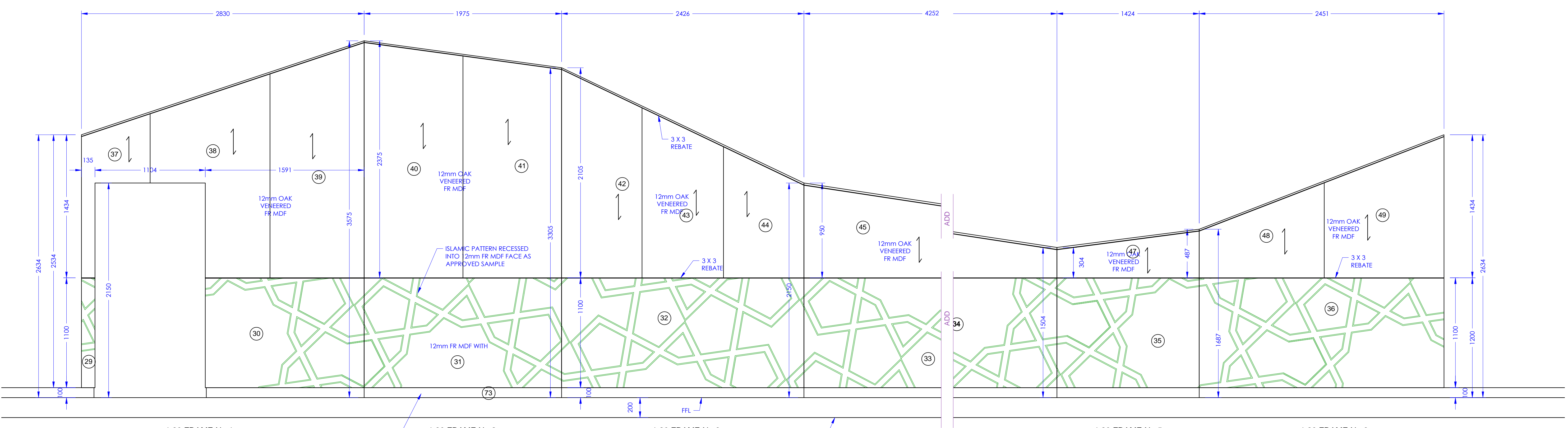
1:1 EXT PANEL
PATTERN BEAD



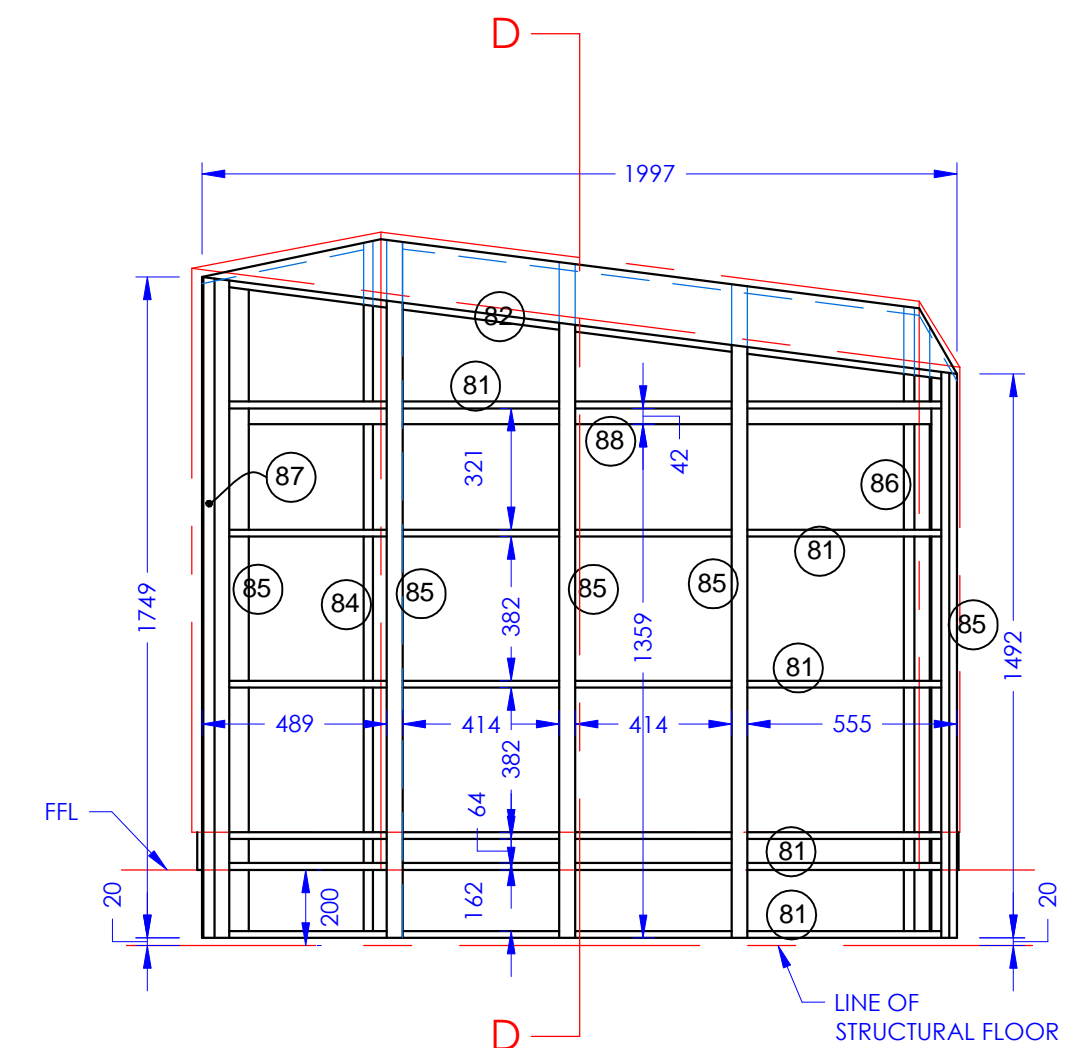
1:1 SECTION THROUGH
DOUBLE LIGHT PANEL



1:1 SECTION THROUGH
SINGLE LIGHT PANEL



1:20 INTERIOR ELEVATION



1:20 FRAME No.3
EXTERIOR FACE

NOTES:
ALL MDF FOR ENCLOSURE TO BE FR MDF.
EXTERIOR OF ENCLOSURE TO BE PAINTED
READY FOR FINE ROLLER FINISH ON SITE TO
APPROVED SAMPLE. COLOUR TBC
INTERNAL FACE BELOW 1200MM AFFL - 12MM
FR MDF WITH RECESSED ISLAMIC PATTERN
PAINTED READY FOR FINE ROLLER FINISH TO
APPROVED SAMPLE.
INTERNAL FACE ABOVE 1200MM AFFL - 12MM
OAK VENEERED FR MDF.
PLINTH TO BE WHITE LAMINATE. SPEC TBC.
SAMPLE REQUIRED.
EXTERNAL ISLAMIC PATTERN TO SUIT
APPROVED SAMPLE BEADING.

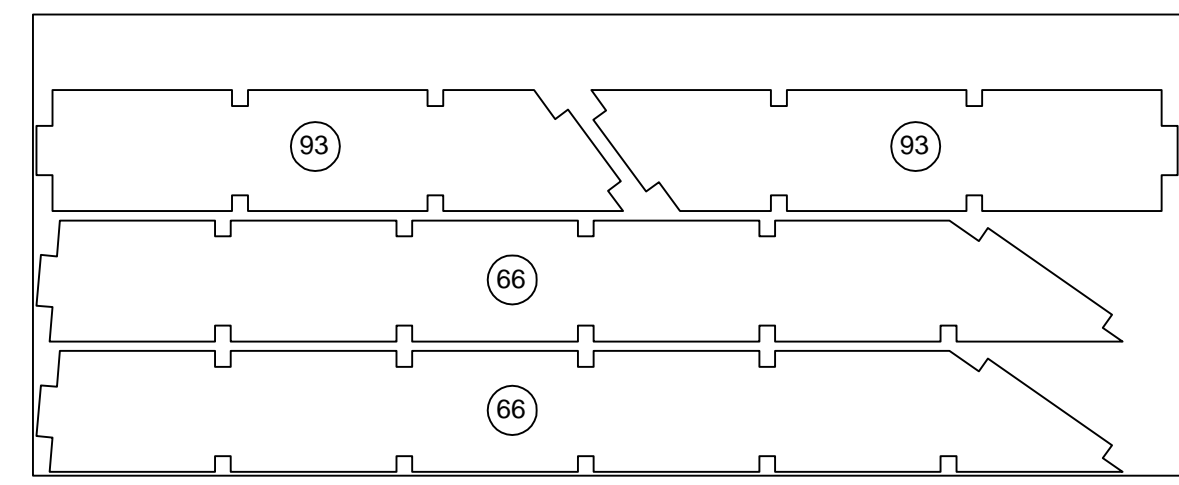
These drawings have been checked for consistency in accordance with Roto Studio drawings and specification. Approved for construction.

D	Item numbers changed for formers & framing.	17/08/15	MW
C	Amended to suit new light panel details on Dwg No. BI-CD2-ALL-SK-001	30/07/15	MW
B	ITEM NUMBERS ADDED	09/07/15	MW
A	DRAWING AMENDED TO SUIT STATUS 'B' COMMENTS RECEIVED 04/06/15	11/06/15	MW
REV	DESCRIPTION	DATE	BY

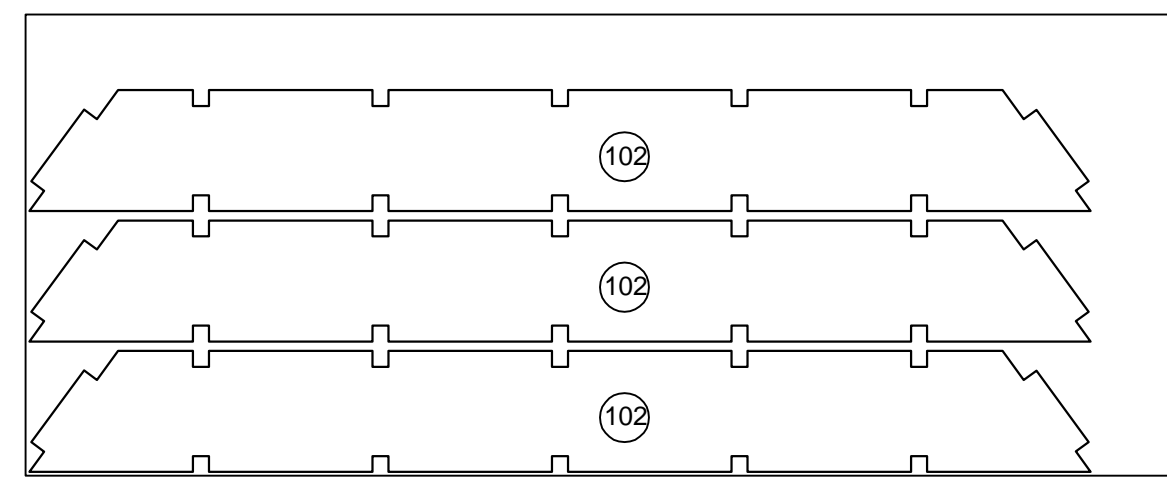
Location of file: E:\Setting Out Ltd\Sample Drawings

SETTING OUT Ltd.
11, ALBANY ROAD
PAIGNTON, DEVON
TQ3 1BT
Tel: 01803 520466
e-mail: sales@settingoutlimited.co.uk

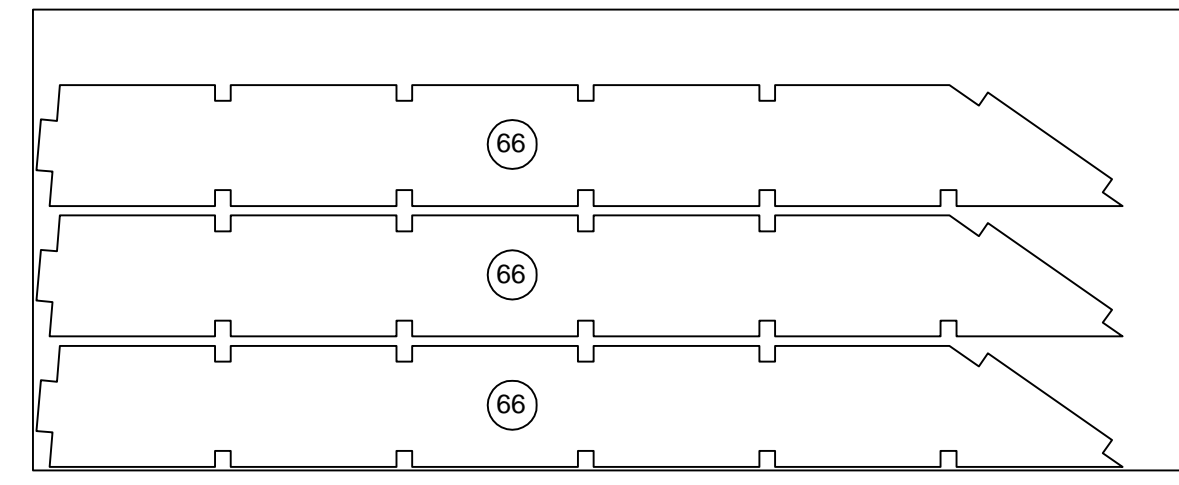
CONTRACT				
ISLAMIC ARTS - STORIES IN THE COURTYARD				
DRAWING No.	Rev.	SCALE	DRAWN	M. WYATT
BI-CD2-IA-SC-002	D	As Noted	DATE	08/05/15
DRAWING TITLE ENCLOSURE STRUCTURE				
INTERNAL ELEVATIONS & SECTIONS				
DRAWING CHECKED BY				
THIS DRAWING IS COPYRIGHT ©				



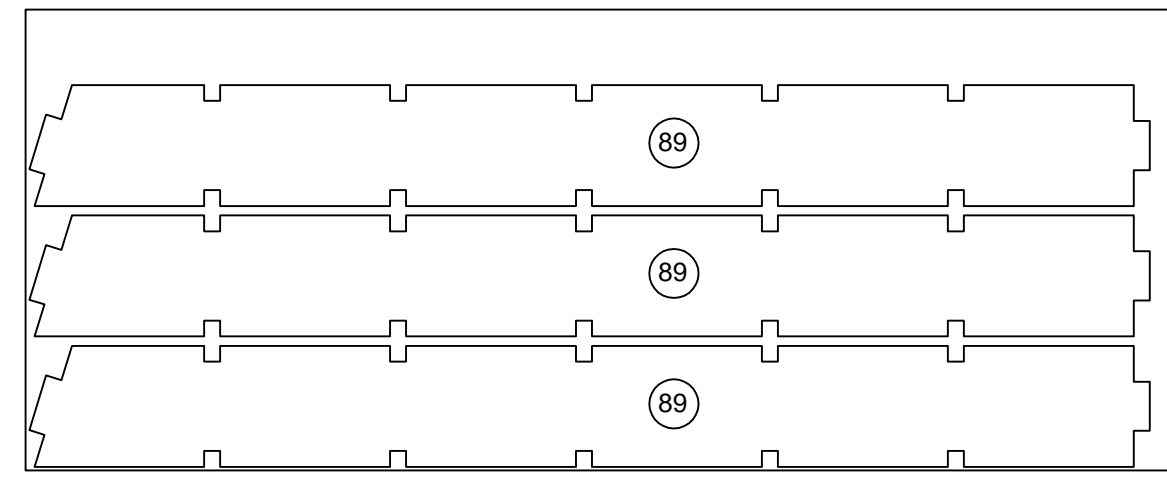
Sheet No 24 - 3050 x 1220 18mm FR MDF



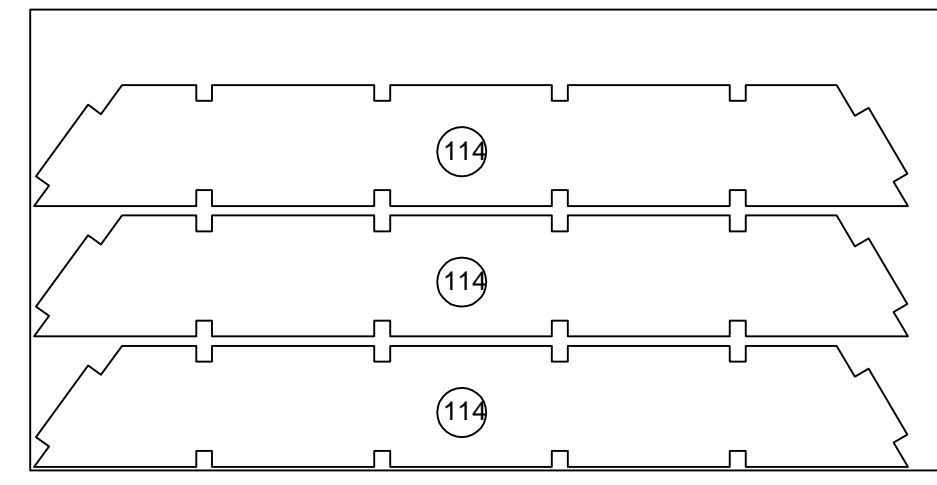
Sheet No 28 - 3050 x 1220 18mm FR MDF 2 No. Required



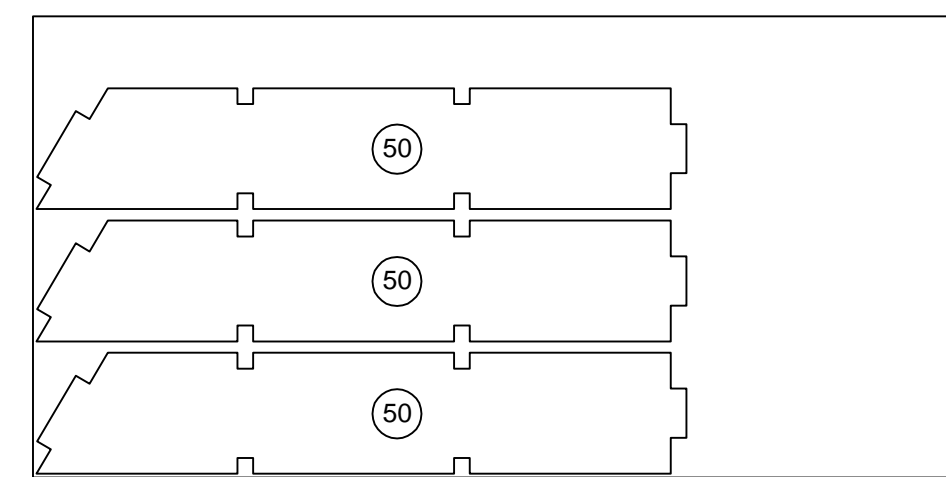
Sheet No 23 - 3050 x 1220 18mm FR MDF 2 No. Required



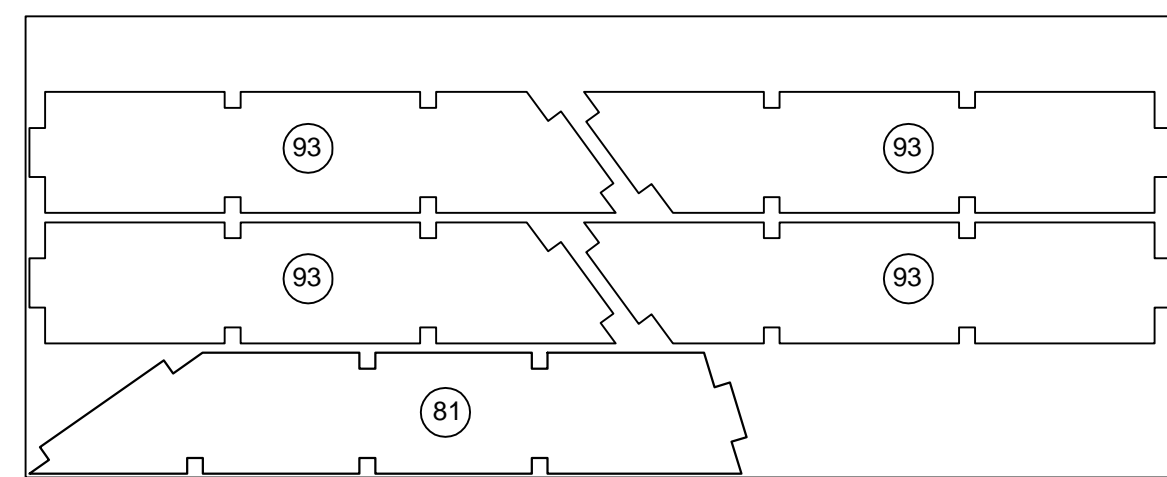
Sheet No 27 - 3050 x 1220 18mm FR MDF 2 No. Required



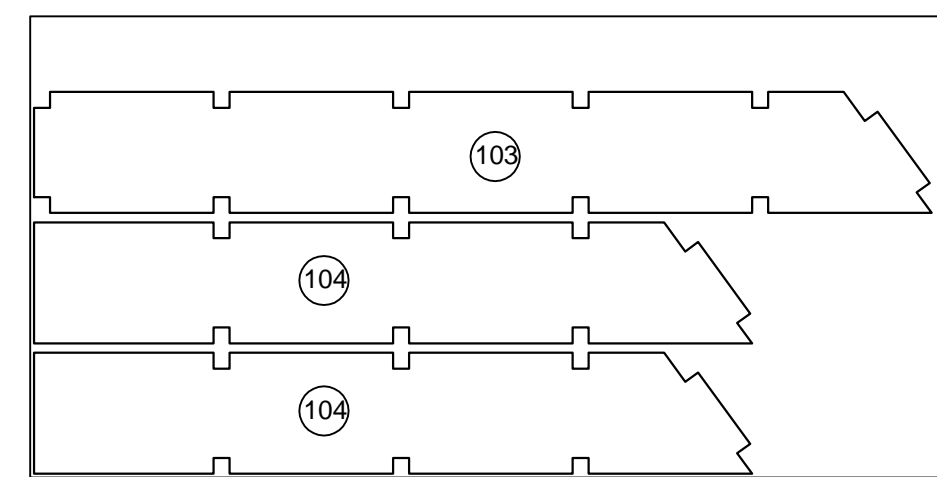
Sheet No 31 - 2440 x 1220 18mm FR MDF 4 No. Required



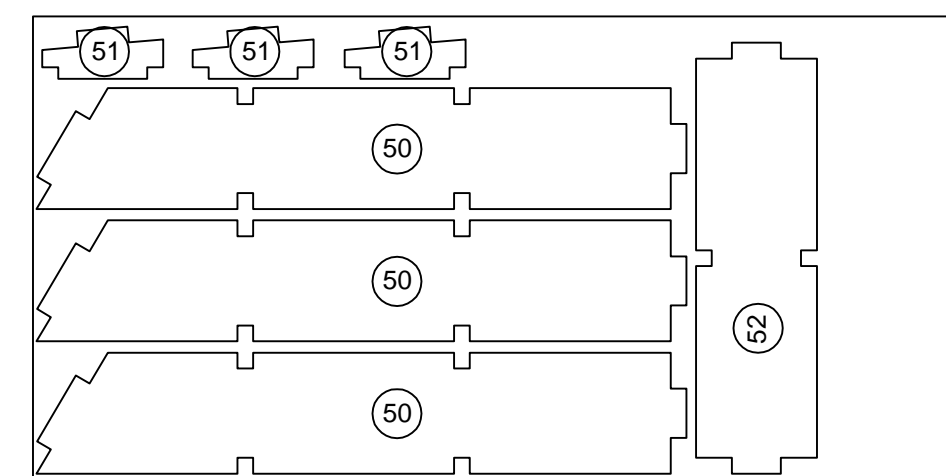
Sheet No 22 - 2440 x 1220 18mm FR MDF



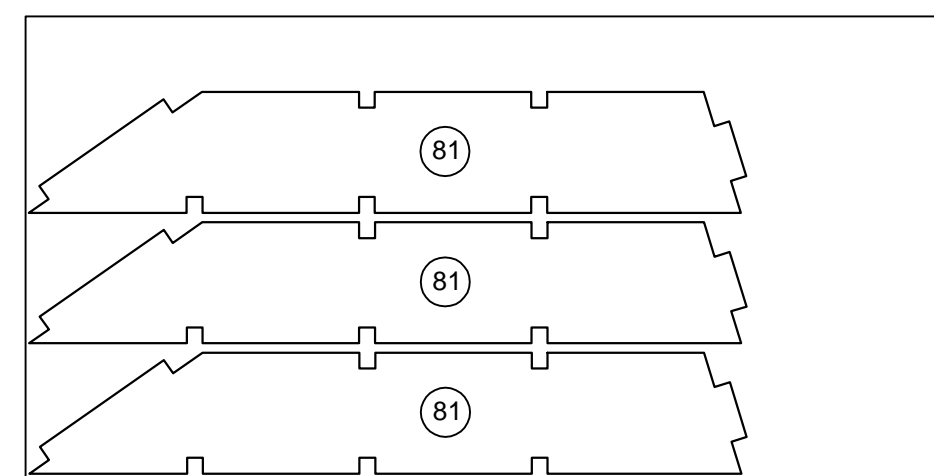
Sheet No 26 - 3050 x 1220 18mm FR MDF



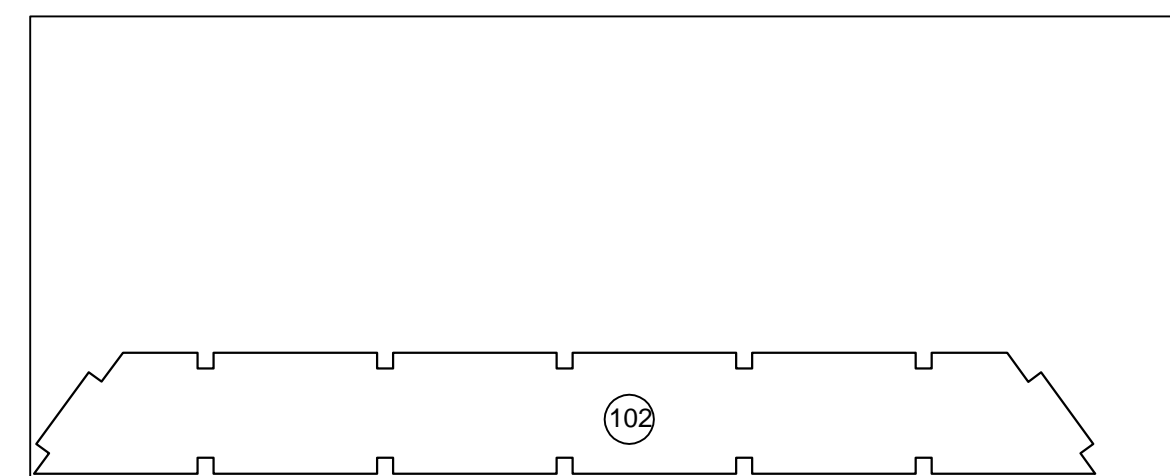
Sheet No 30 - 2440 x 1220 18mm FR MDF



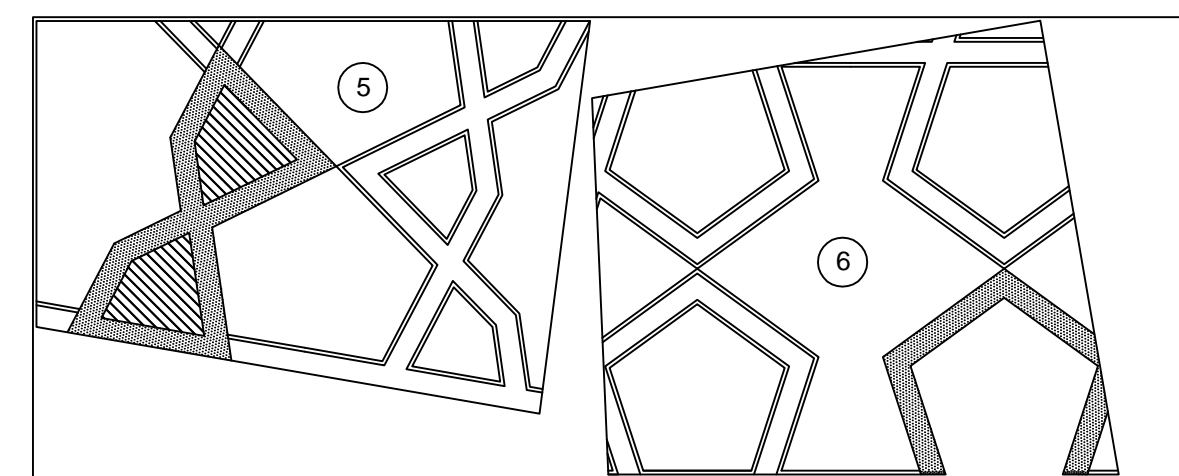
Sheet No 21 - 2440 x 1220 18mm FR MDF 3 No. Required



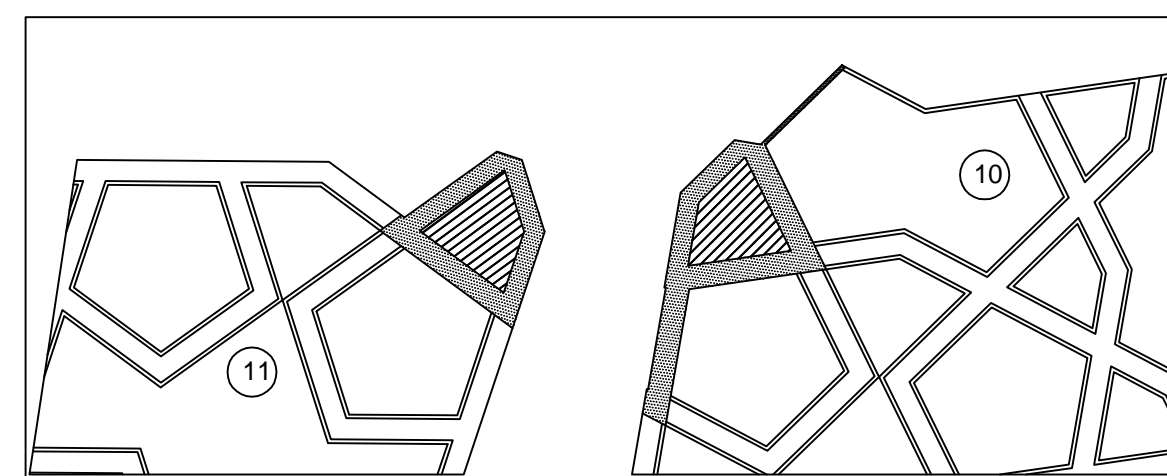
Sheet No 25 - 3050 x 1220 18mm FR MDF



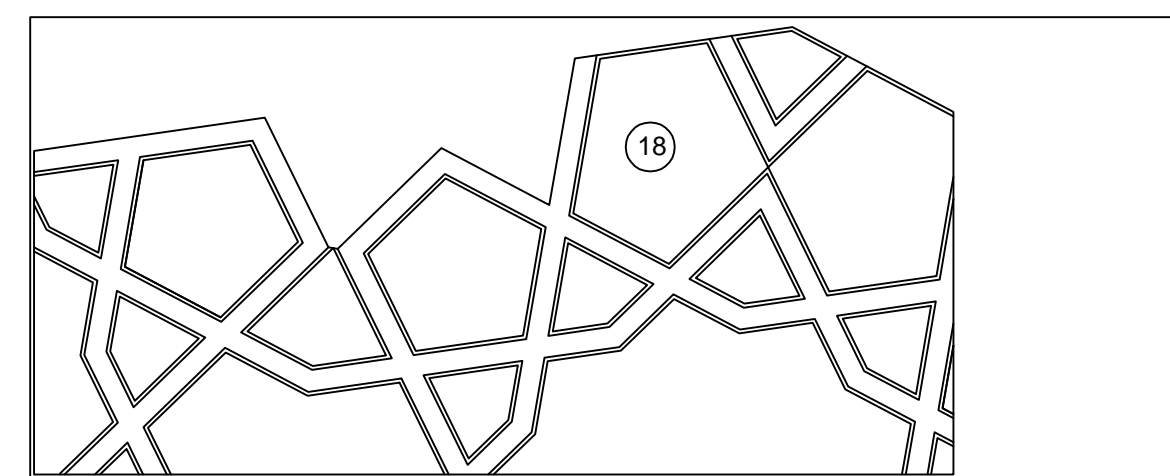
Sheet No 29 - 3050 x 1220 18mm FR MDF



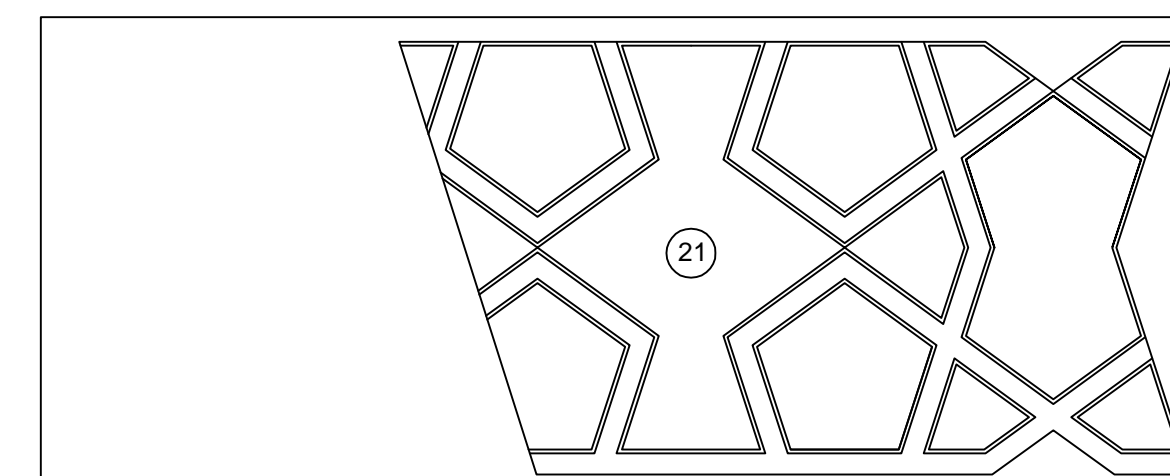
Sheet No 4 - 3050 x 1220 18mm FR MDF



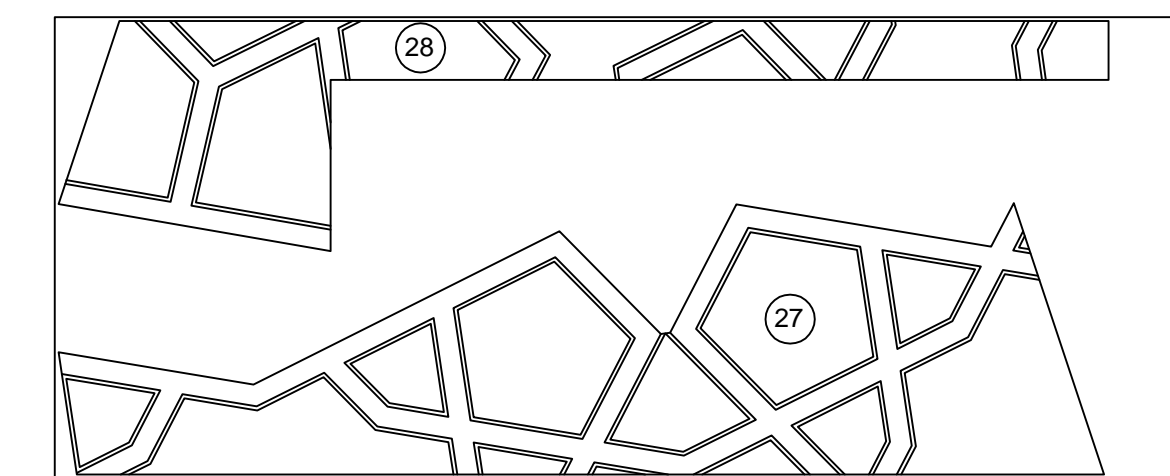
Sheet No 8 - 3050 x 1220 18mm FR MDF



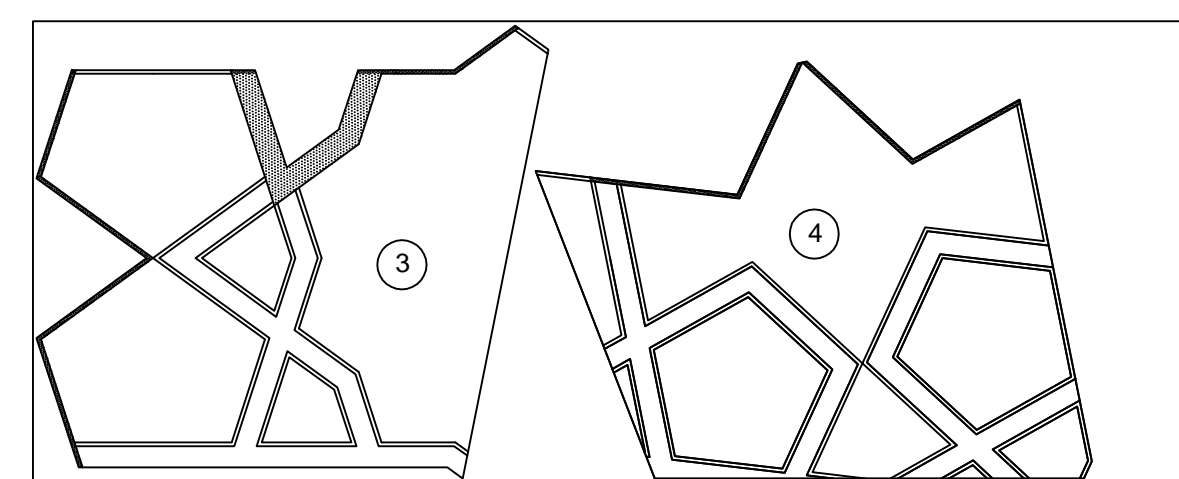
Sheet No 12 - 3050 x 1220 18mm FR MDF



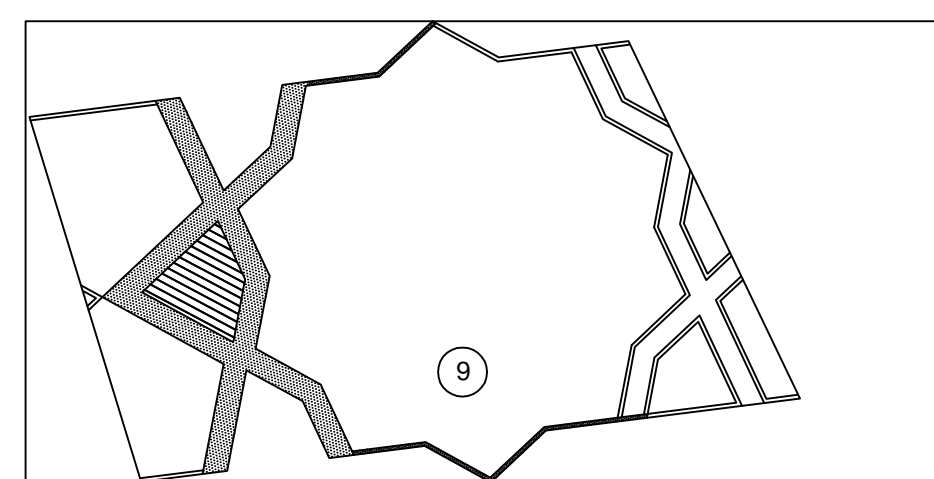
Sheet No 16 - 3050 x 1220 18mm FR MDF



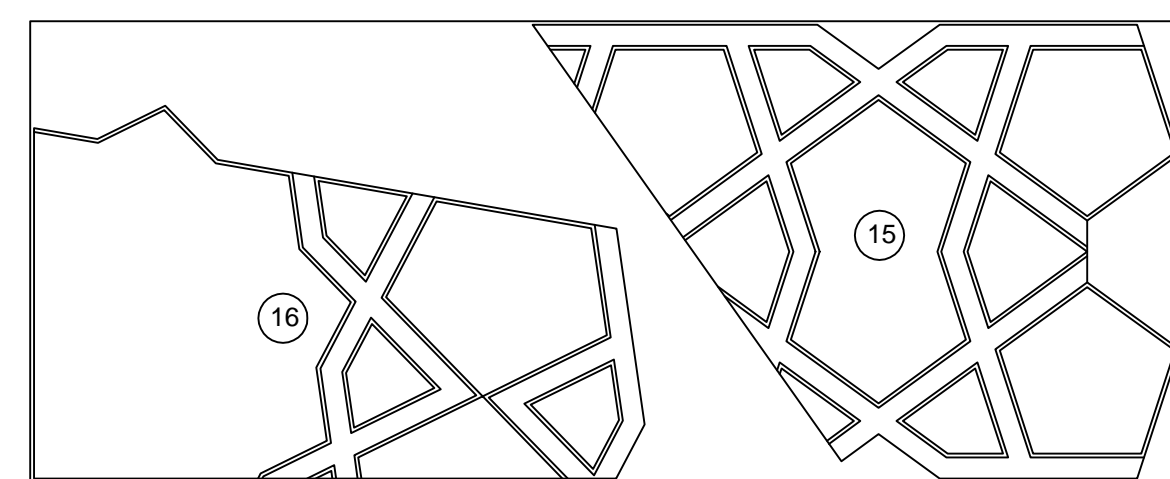
Sheet No 20 - 3050 x 1220 18mm FR MDF



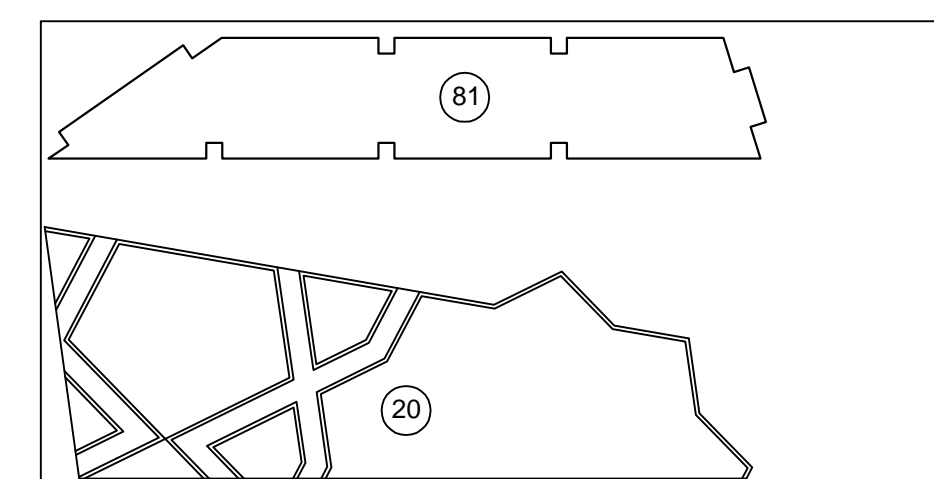
Sheet No 3 - 3050 x 1220 18mm FR MDF



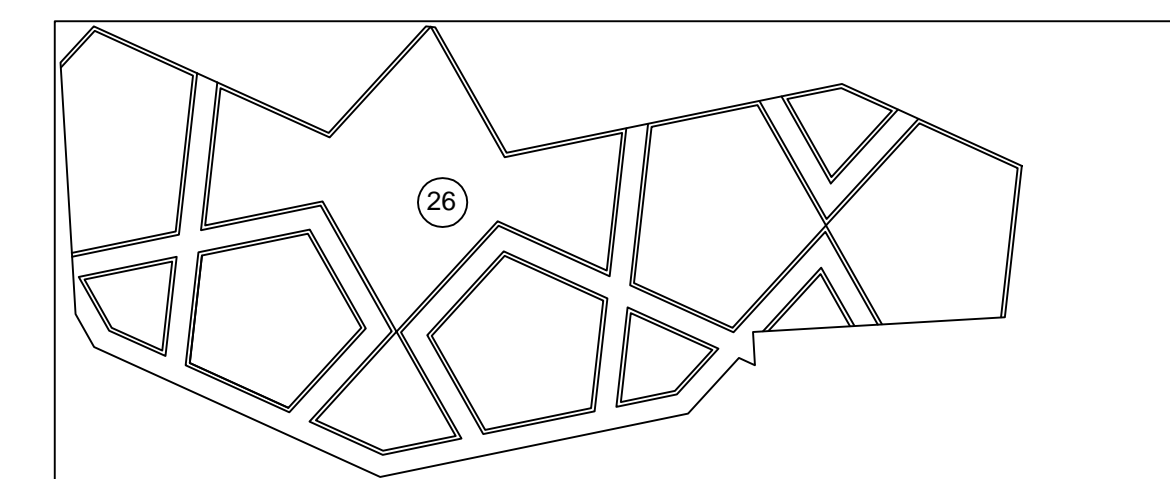
Sheet No 7 - 2440 x 1220 18mm FR MDF



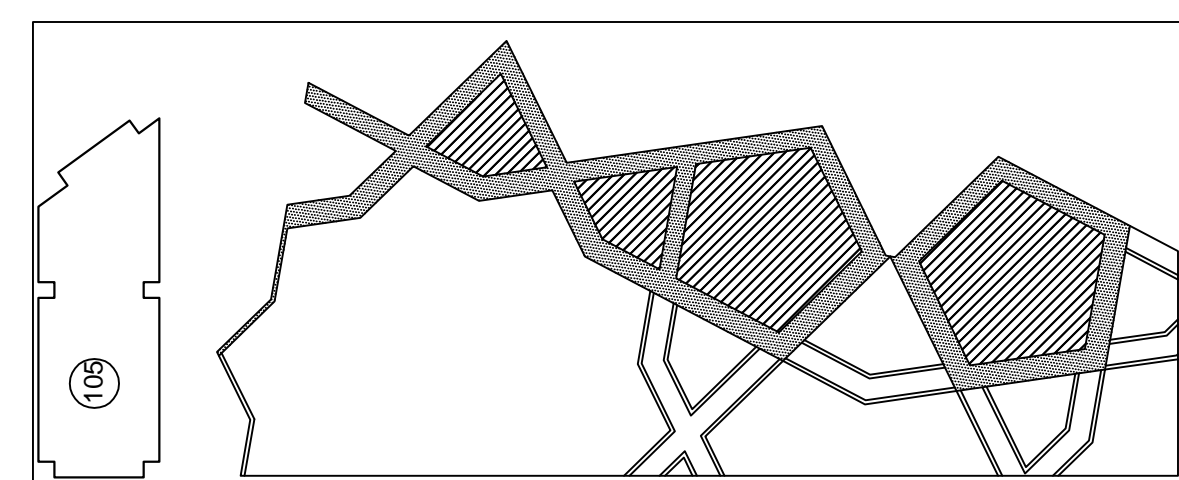
Sheet No 11 - 3050 x 1220 18mm FR MDF



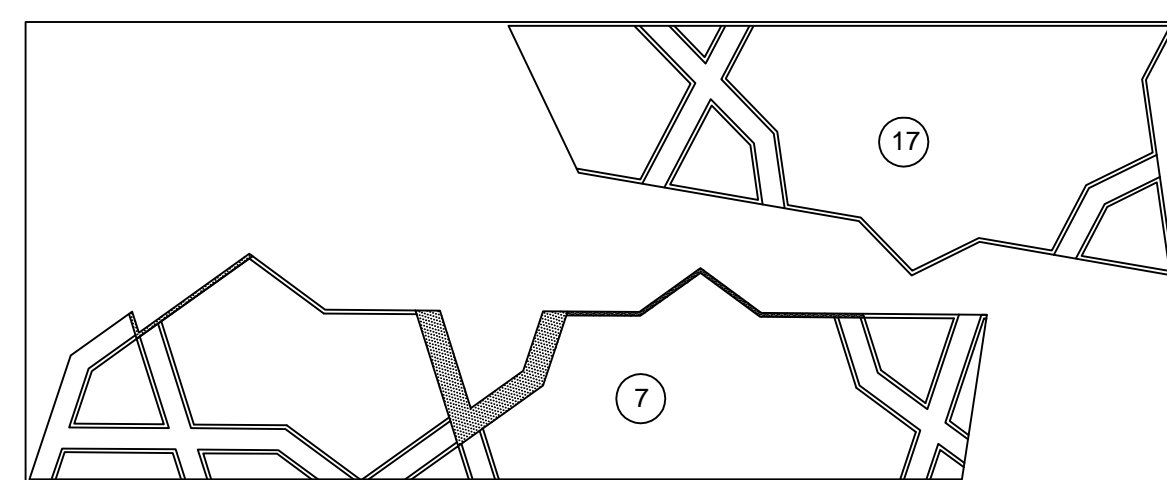
Sheet No 15 - 2440 x 1220 18mm FR MDF



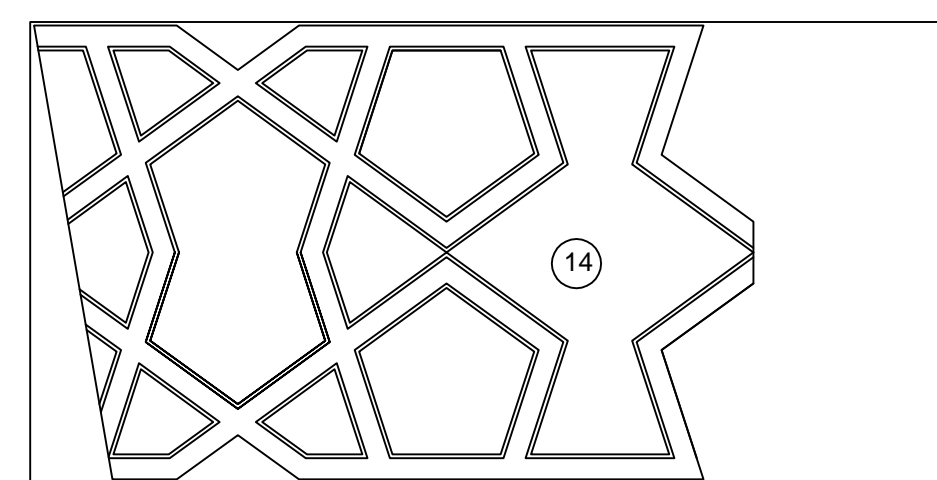
Sheet No 19 - 3050 x 1220 18mm FR MDF



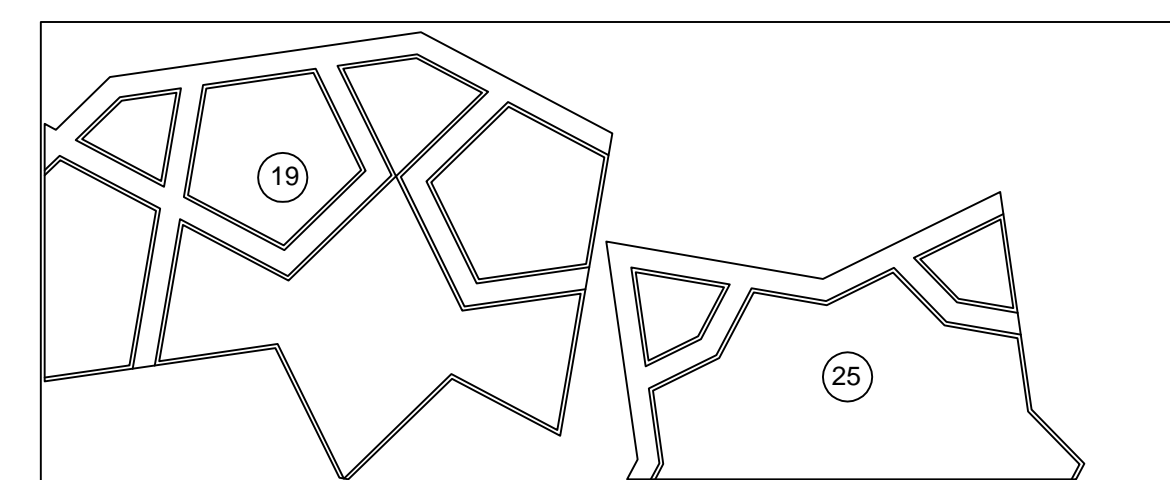
Sheet No 2 - 3050 x 1220 18mm FR MDF



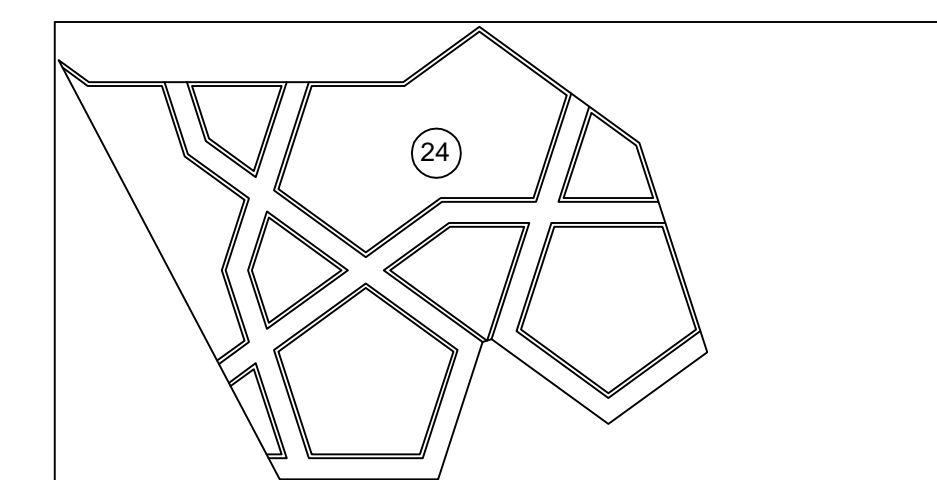
Sheet No 6 - 3050 x 1220 18mm FR MDF



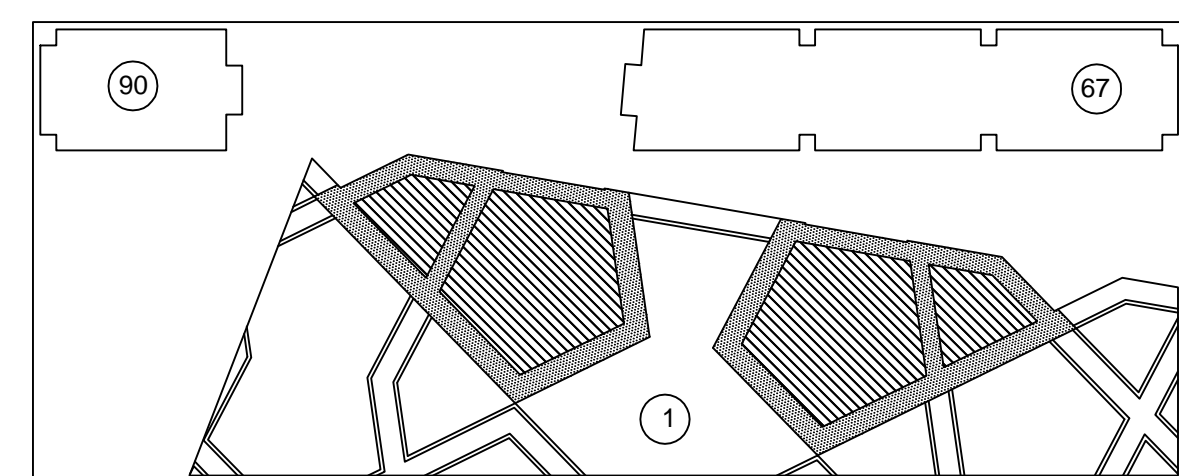
Sheet No 10 - 2440 x 1220 18mm FR MDF



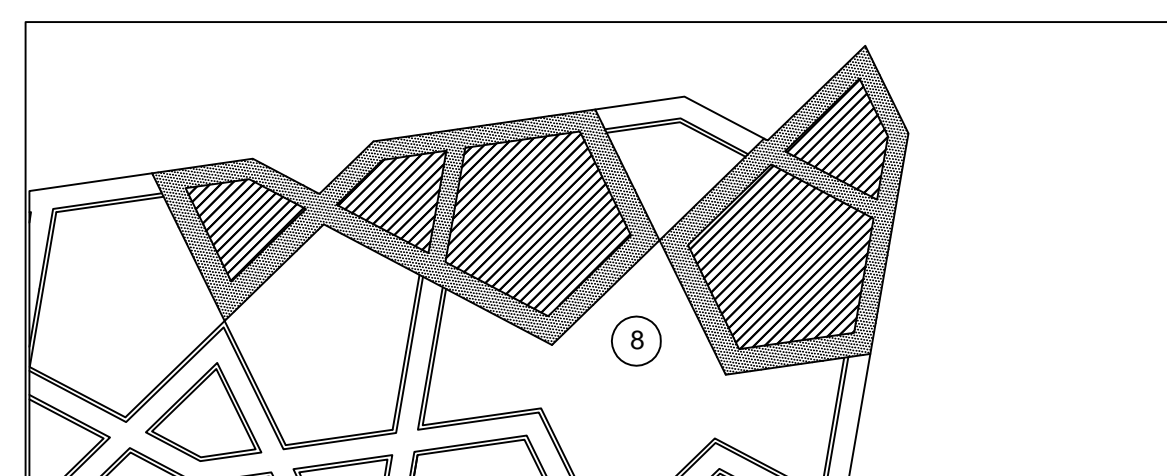
Sheet No 14 - 3050 x 1220 18mm FR MDF



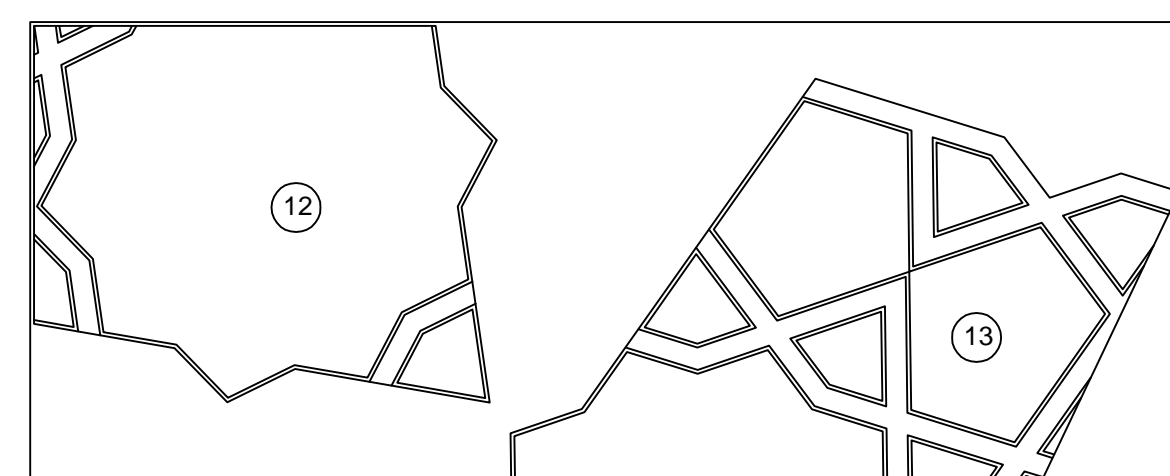
Sheet No 18 - 2440 x 1220 18mm FR MDF



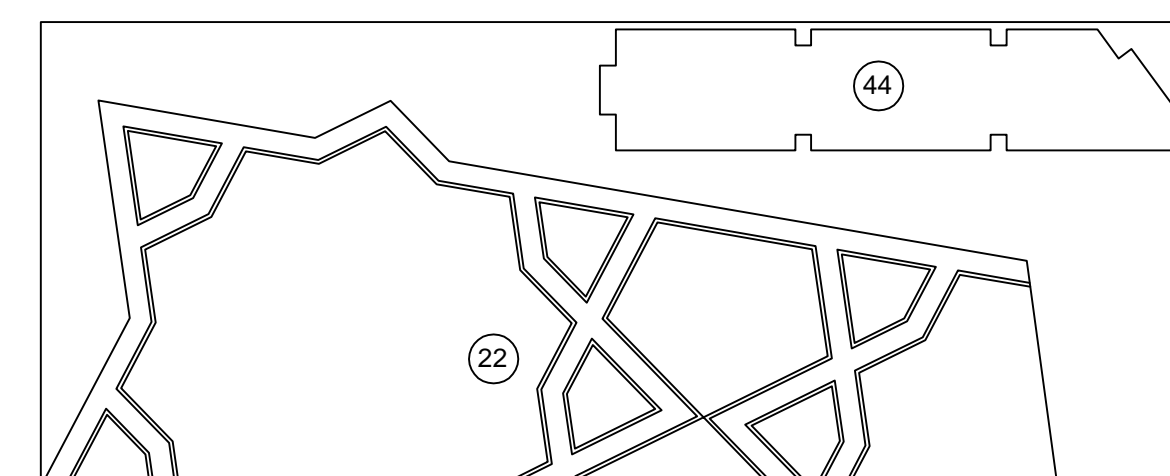
Sheet No 1 - 3050 x 1220 18mm FR MDF



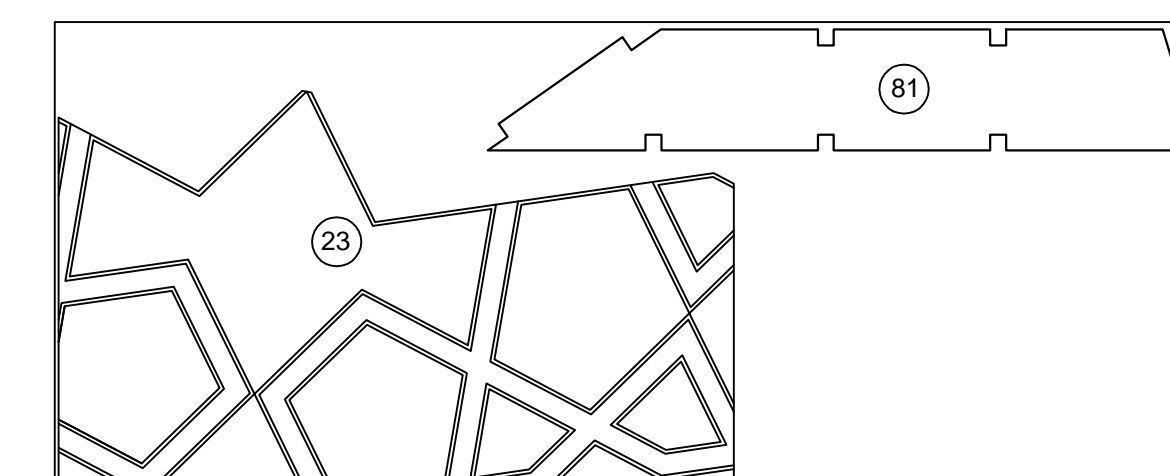
Sheet No 5 - 3050 x 1220 18mm FR MDF



Sheet No 9 - 3050 x 1220 18mm FR MDF



Sheet No 13 - 3050 x 1220 18mm FR MDF



Sheet No 17 - 3050 x 1220 18mm FR MDF

NOTES:

ALL MDF FOR ENCLOSURE TO BE FR MDF.
EXTERIOR OF ENCLOSURE TO BE PAINTED
READY FOR FINE ROLLER FINISH ON SITE TO
APPROVED SAMPLE. COLOUR TBC

INTERNAL FACE BELOW 1200MM AFFL - 12MM
FR MDF WITH RECESSED ISLAMIC PATTERN
PAINTED READY FOR FINE ROLLER FINISH TO
APPROVED SAMPLE.

INTERNAL FACE ABOVE 1200MM AFFL - 12MM
OAK VENEERED FR MDF.

PLINTH TO BE WHITE LAMINATE. SPEC TBC.
SAMPLE REQUIRED.

EXTERNAL ISLAMIC PATTERN TO SUIT
APPROVED SAMPLE BEADING.

These drawings have been checked for
consistency in accordance with Roto
Studio drawings and specification.
Approved for construction.

B	Item numbers changed for formers and framing	17/08/15	MW
A	Amended to suit new light panel details on Dwg No. BI-CDZ-ALL-SK-001	30/07/15	MW
REV	DESCRIPTION	DATE	BY
Location of file: E:\Setting Out Ltd\Sample Drawings			

SETTING OUT Ltd.
11, ALBANY ROAD
PAIGNTON, DEVON
TQ3 1BT
Tel: 01803 520466
e-mail: sales@settingoutlimited.co.uk

CONTRACT
ISLAMIC ARTS - STORIES IN THE COURTYARD

DRAWING No.	Rev.	SCALE	DRAWN	M. WYATT
BI-CDZ-IA-SC-SK1	B	As Noted On A3 Paper	DATE	09/05/15

DRAWING TITLE CNC DETAILS

SHEET 1 OF 2

DRAWING CHECKED BY

THIS DRAWING IS COPYRIGHT ©

NOTES:

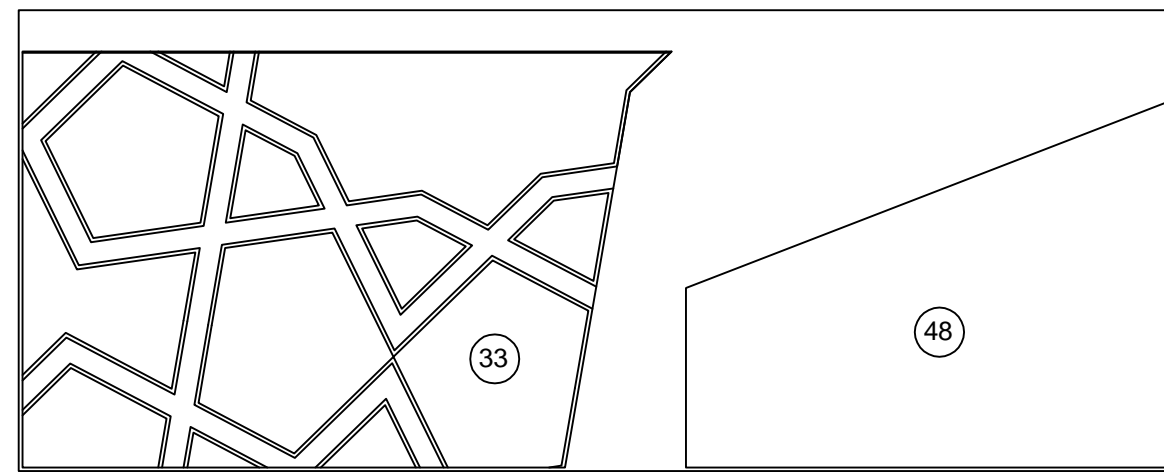
ALL MDF FOR ENCLOSURE TO BE FR MDF.
EXTERIOR OF ENCLOSURE TO BE PAINTED
READY FOR FINE ROLER FINISH ON SITE TO
APPROVED SAMPLE. COLOUR TBC

INTERNAL FACE BELOW 1200MM AFFL - 12MM
FR MDF WITH RECESSED ISLAMIC PATTERN
PAINTED READY FOR FINE ROLLER FINISH TO
APPROVED SAMPLE.

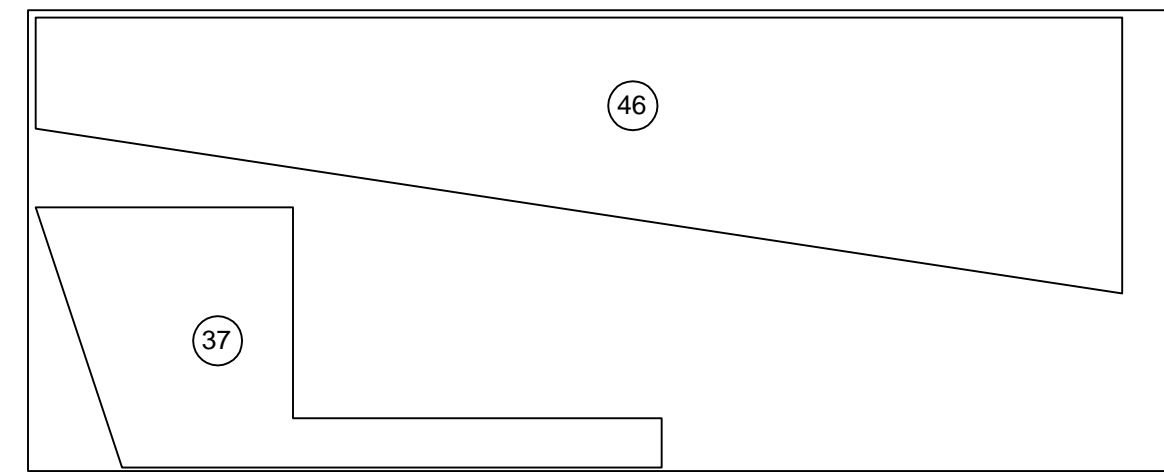
INTERNAL FACE ABOVE 1200MM AFFL - 12MM
OAK VENEERED FR MDF.

PLINTH TO BE WHITE LAMINATE, SPEC TBC.
SAMPLE REQUIRED.

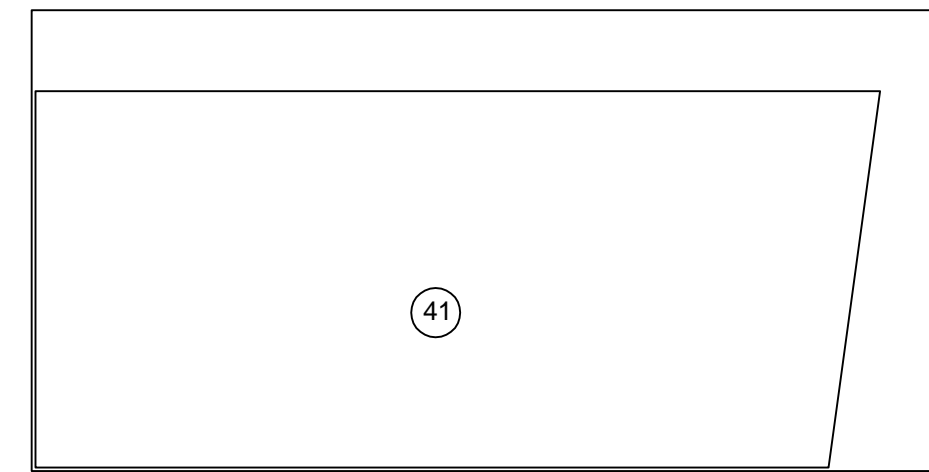
EXTERNAL ISLAMIC PATTERN TO SUIT
APPROVED SAMPLE BEADING.



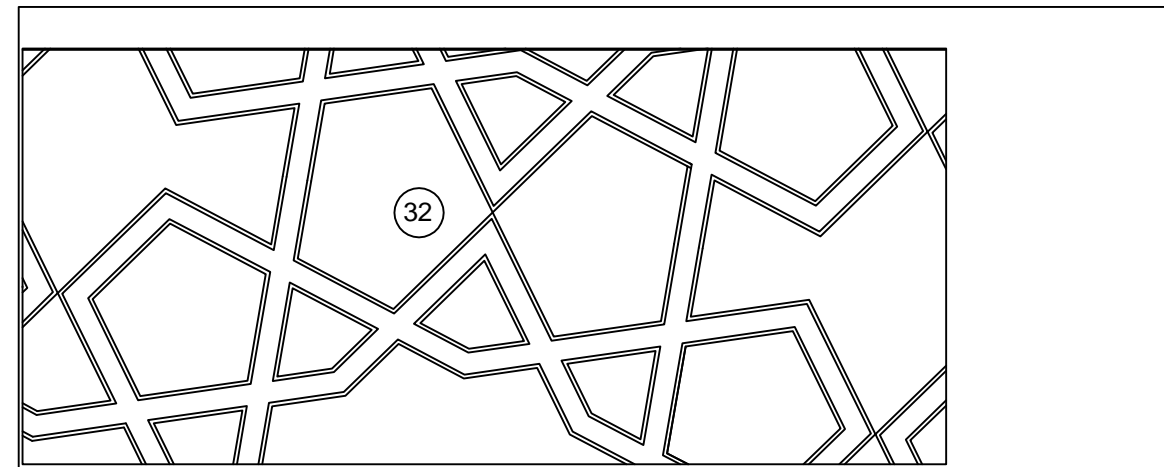
Sheet No 35 - 3050 x 1220 12mm FR MDF



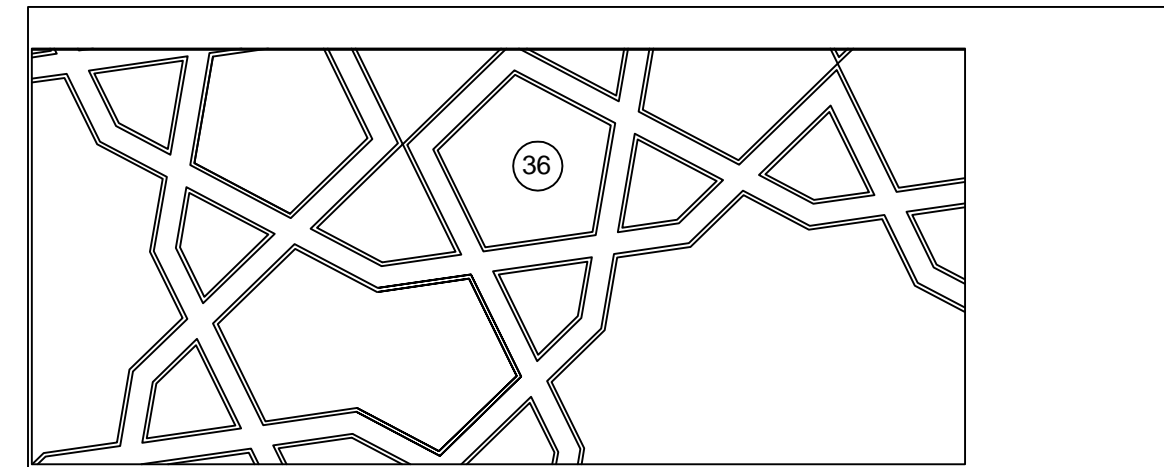
Sheet No 39 - 3050 x 1220 12mm FR MDF



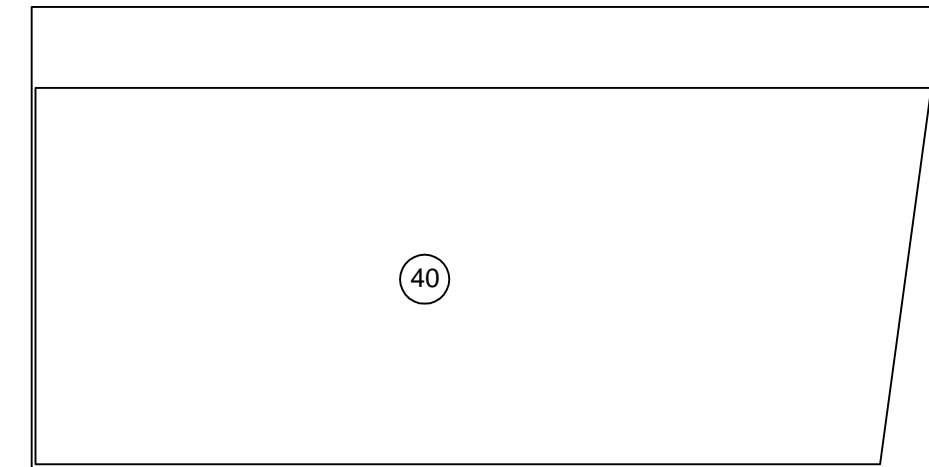
Sheet No 43 - 2440 x 1220 12mm FR MDF



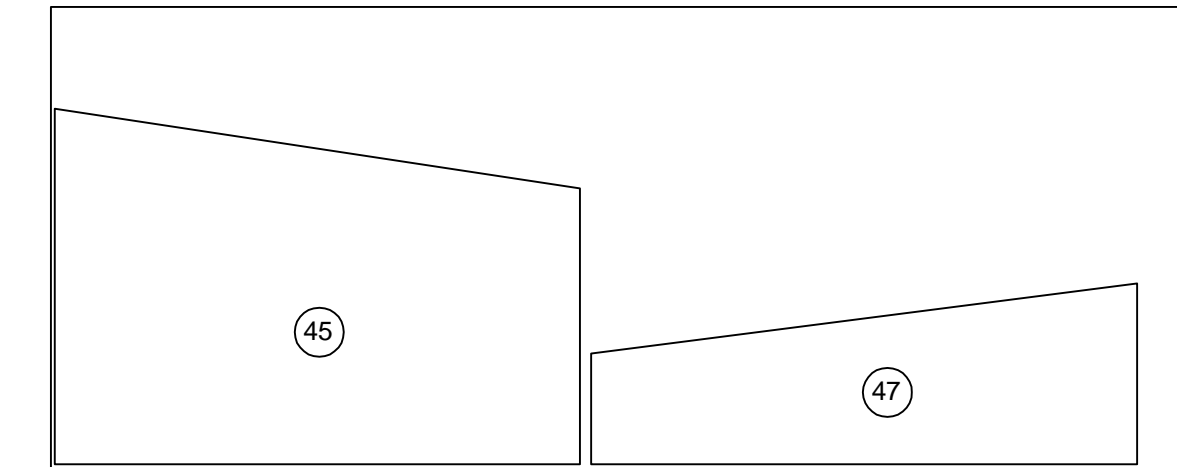
Sheet No 34 - 3050 x 1220 12mm FR MDF



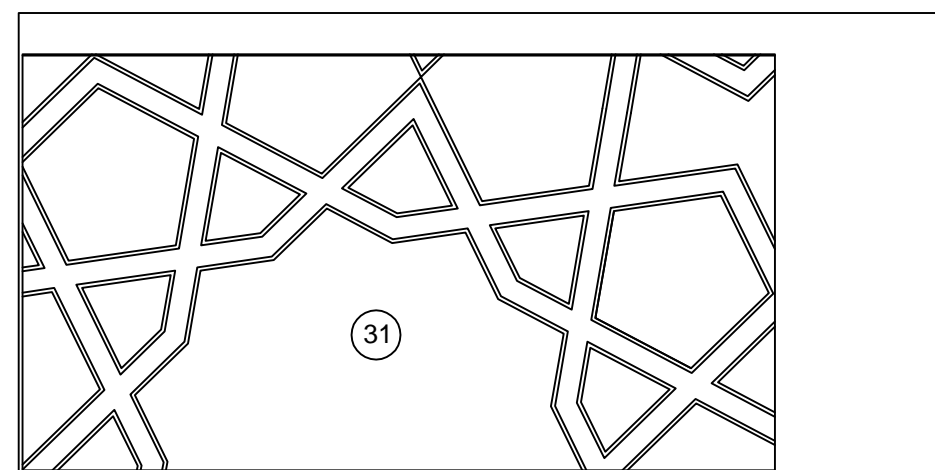
Sheet No 38 - 3050 x 1220 12mm FR MDF



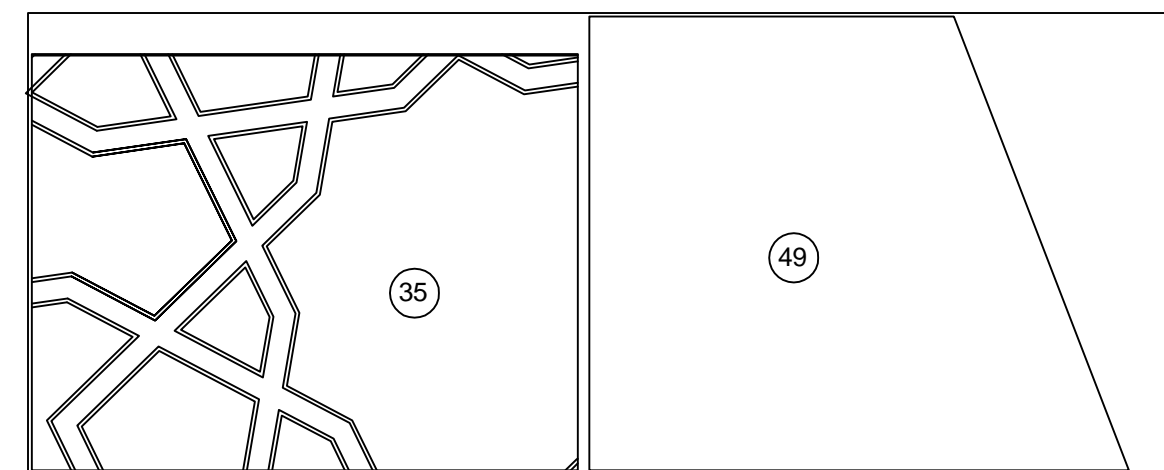
Sheet No 42 - 2440 x 1220 12mm FR MDF



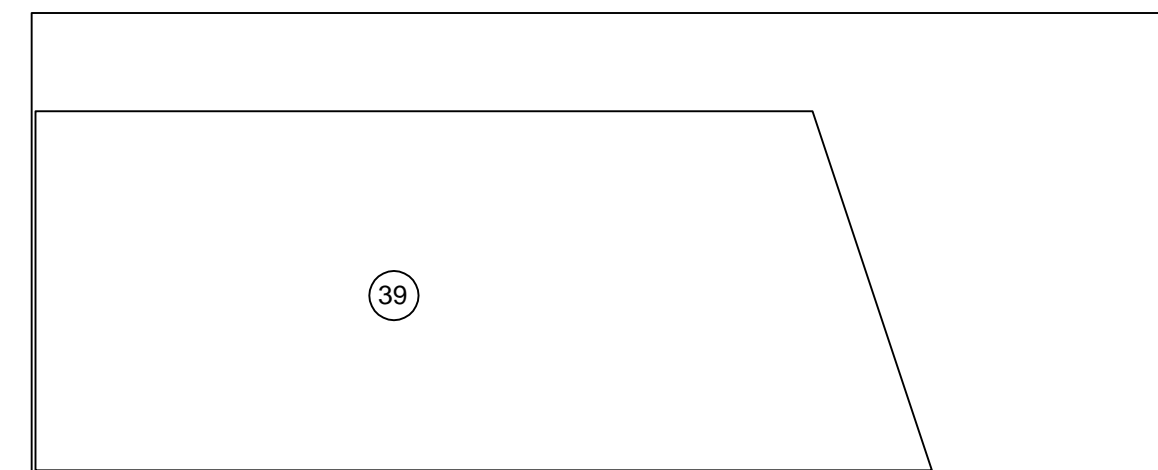
Sheet No 46 - 3050 x 1220 12mm FR MDF



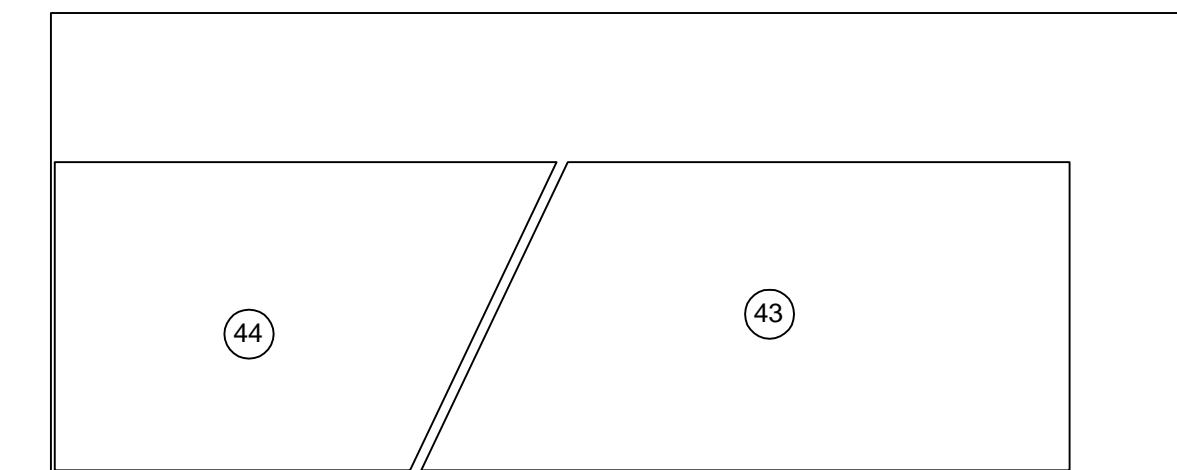
Sheet No 33 - 2440 x 1220 12mm FR MDF



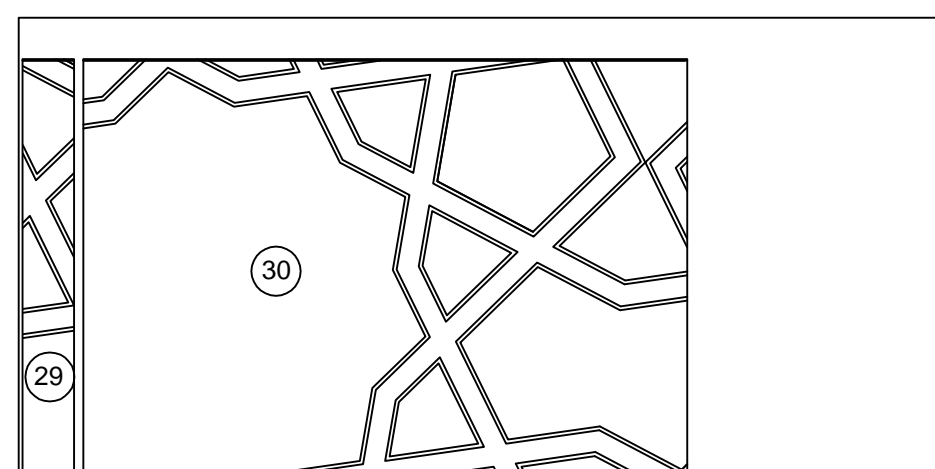
Sheet No 37 - 3050 x 1220 12mm FR MDF



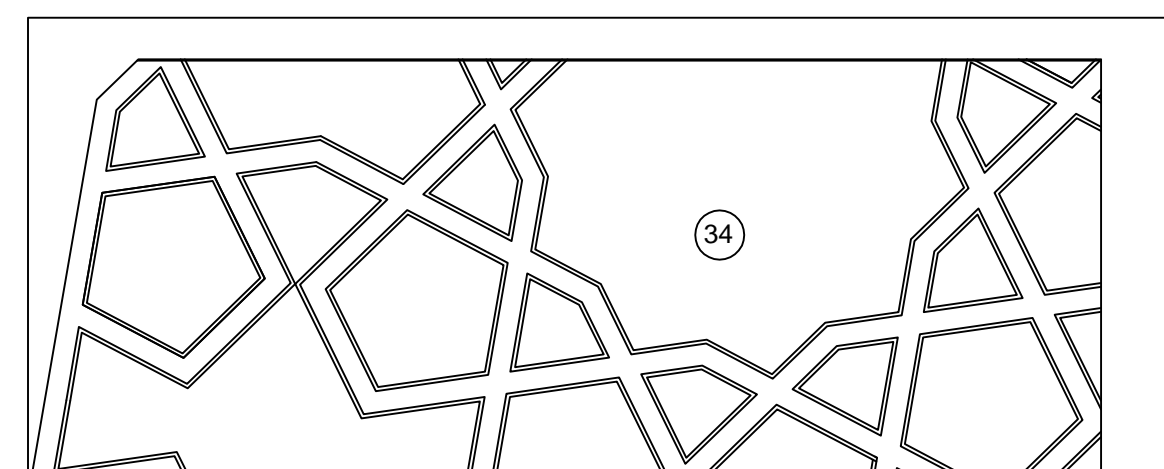
Sheet No 41 - 3050 x 1220 12mm FR MDF



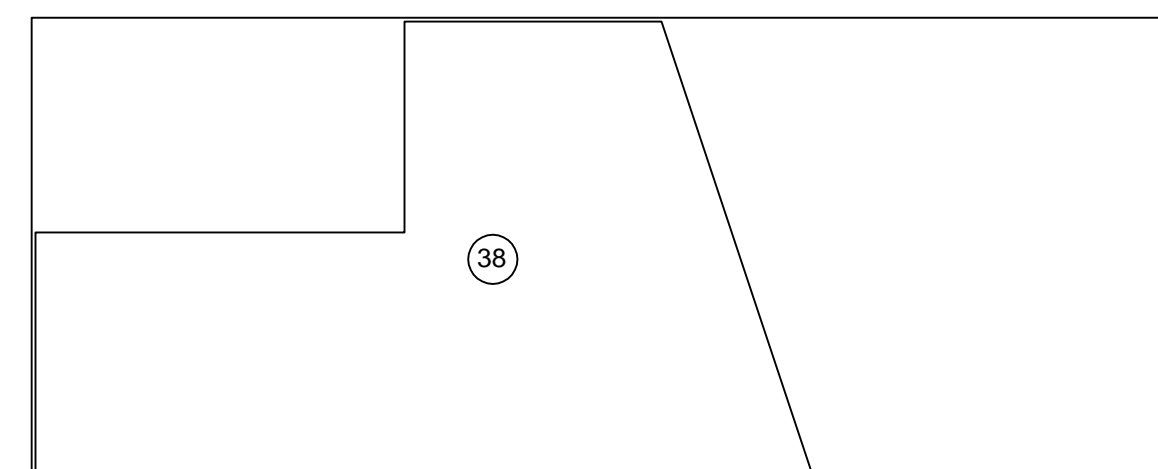
Sheet No 45 - 3050 x 1220 12mm FR MDF



Sheet No 32 - 2440 x 1220 12mm FR MDF



Sheet No 36 - 3050 x 1220 12mm FR MDF



Sheet No 40 - 3050 x 1220 12mm FR MDF



Sheet No 44 - 2440 x 1220 12mm FR MDF

REV	DESCRIPTION	DATE	BY
-----	-------------	------	----

Location of file: E:\Setting Out Ltd\Sample Drawings

SETTING OUT Ltd.

11, ALBANY ROAD
PAIGNTON, DEVON
TQ3 1BT
Tel: 01803 520466
e-mail: sales@settingoutlimited.co.uk

CONTRACT

ISLAMIC ARTS - STORIES IN THE COURTYARD

DRAWING No.	Rev.	SCALE	DRAWN	M. WYATT
BI-CDZ-IA-SC-SK2		As Noted On A1 PAPER	DATE	09/05/15

DRAWING TITLE CNC DETAILS

SHEET 2 OF 2

DRAWING CHECKED BY

THIS DRAWING IS COPYRIGHT ©